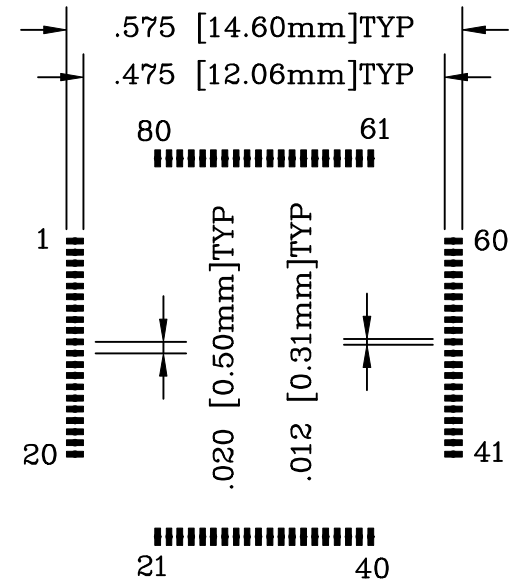
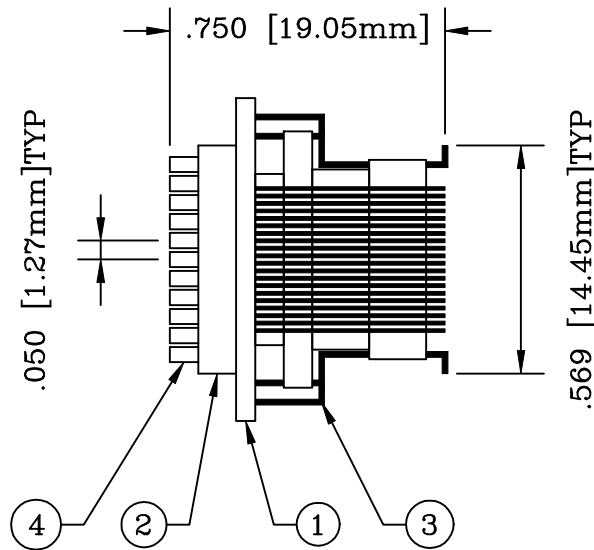
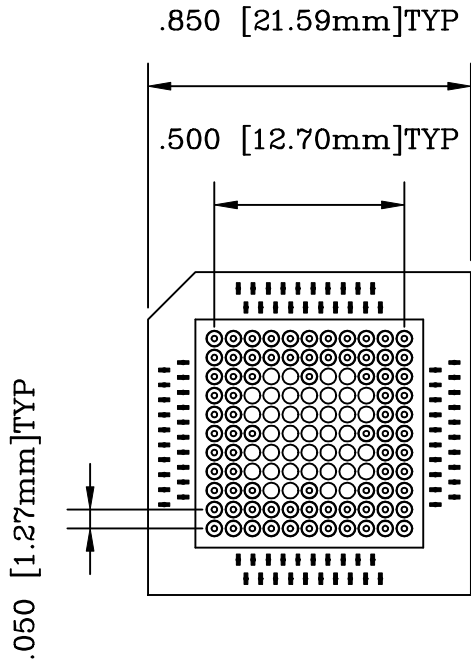


REV	DESCRIPTION	DATE
A	NEW DRAWING	10/18/00
B	UPDATED BOM: ADD SPACER/PINS2	2/23/01

F2007
DOD 32007



PIN MAP

1	80	78	76	74	72	69	67	65	63	61
3	2	79	77	75	73	70	68	66	62	60
5	6	4		71		64	59	58		
7	8							57	56	
9	10							55	54	
12	13	11						51	53	52
14	15							50	49	
16	17							48	47	
18	19	24		31		44	46	45		
20	22	26	28	30	33	35	37	39	42	43
21	23	25	27	29	32	34	36	38	40	41

SCALE 2:1

RECOMMENDED SMT LAYOUT

NO.	ITEM	DESCRIPTION	QTY.
1	80-QF47-S	BASE BOARD(REV A)	1
2	SPACER-2BG011	MOUNT OVER #4	1
3	QF47-SPACER-A	MOUNT ON REAR OF #1	1
4	PINS2	MOUNT ON TOP OF #1	80

	Emulation Technology, Inc. — VLSI and SMT ADAPTERS and ACCESSORIES —	
	2344 Walsh Avenue, Bldg. F Santa Clara, Ca 95051	TEL:(408)982-0660 FAX:(408)982-0664
SHEET: 1 OF 1	DATE: 2/23/01	REVISION: B
CHECKED: Perry Munroe	DRAWN: Aaron Fine	ITEM: EPP080QF47SM
DO NOT SCALE DRAWING		DESCRIPTION: EPP-080-QF47-SM