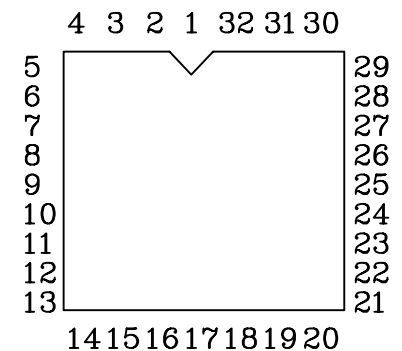
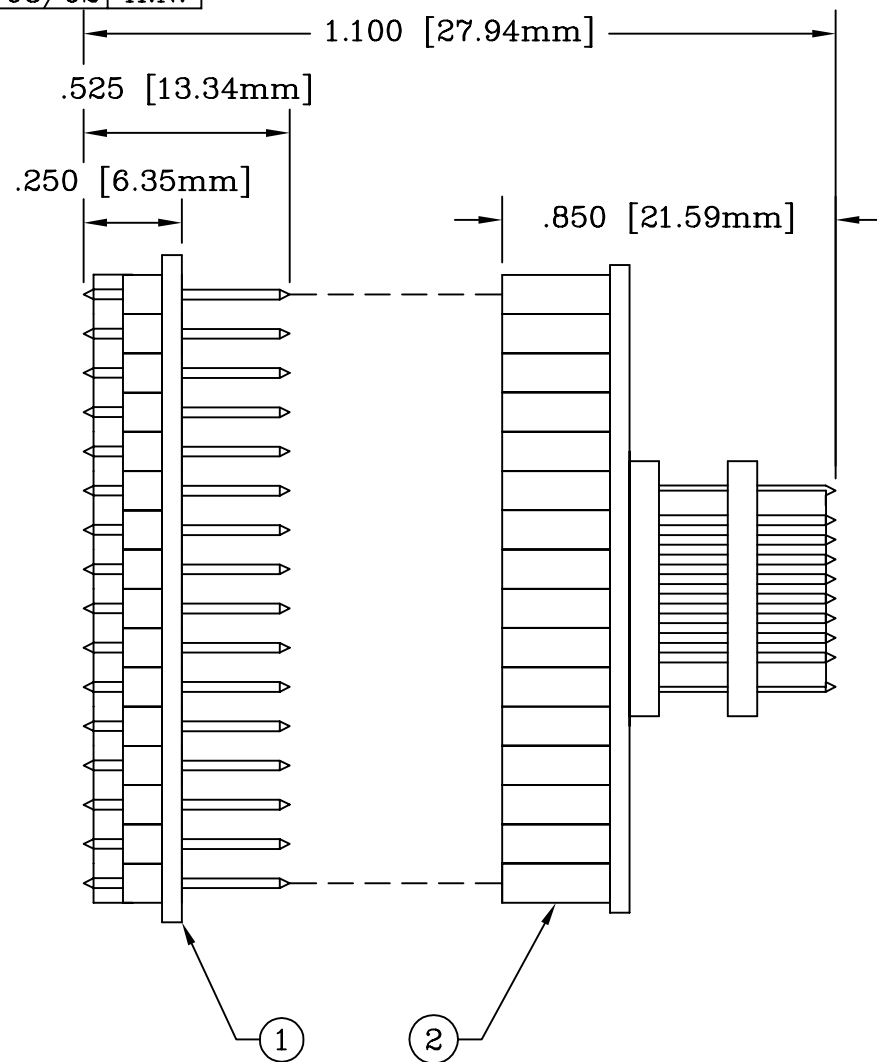
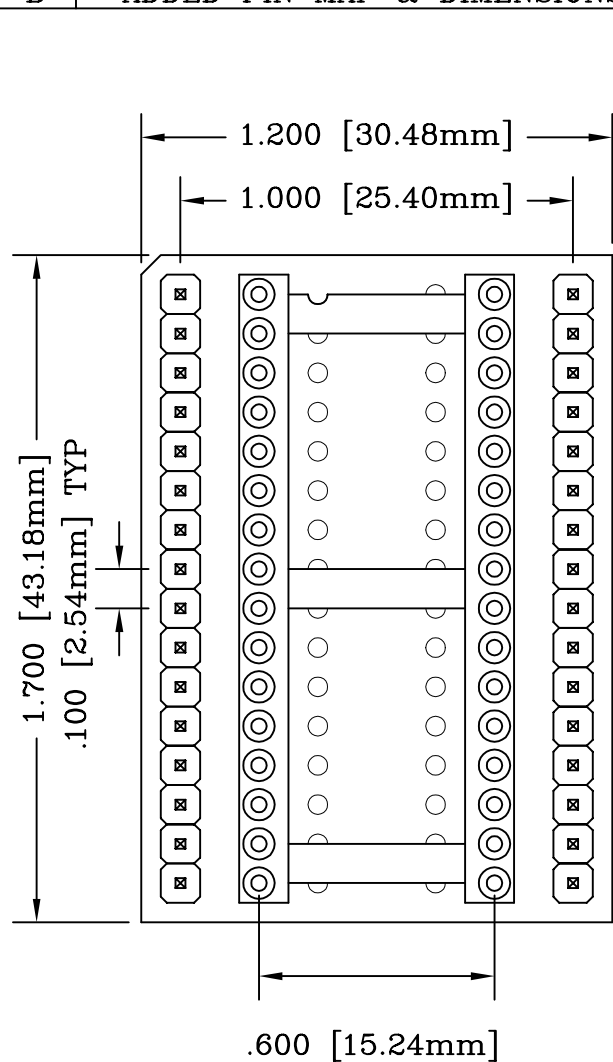


REV	DESCRIPTION	DATE	BY
A	NEW DRAWING	2/12/93	S.B.
B	ADDED PIN MAP & DIMENSIONS	03/08/02	H.N.

F1855  
DOD 31855



ALL DIMENSIONS ARE IN INCHES UNLESS OTHERWISE SPECIFIED

**Emulation Technology, Inc.**  
— VLSI and SMT ADAPTERS and ACCESSORIES —

2344 Walsh Avenue, Bldg.F Santa Clara, Ca 95051  
TEL:(408)982-0660 FAX:(408)982-0664

NO.	ITEM	DESCRIPTION	QTY.
1	AX-32-DIP	PLUG IT INTO #2	1
2	AS-DIP-PCC-32G	BOTTOM ASSEMBLY	1

SHEET: 1 OF 1	DATE: 03/08/02	REVISION: B	<b>ASSEMBLY DRAWING</b>
CHECKED: Perry Munroe	DRAWN: Huy Nguyen	ITEM: 323201DPCC	DESCRIPTION: AS-DIP-PCC-1MEG/EPROM
Scale 2:1	DO NOT SCALE DRAWING		