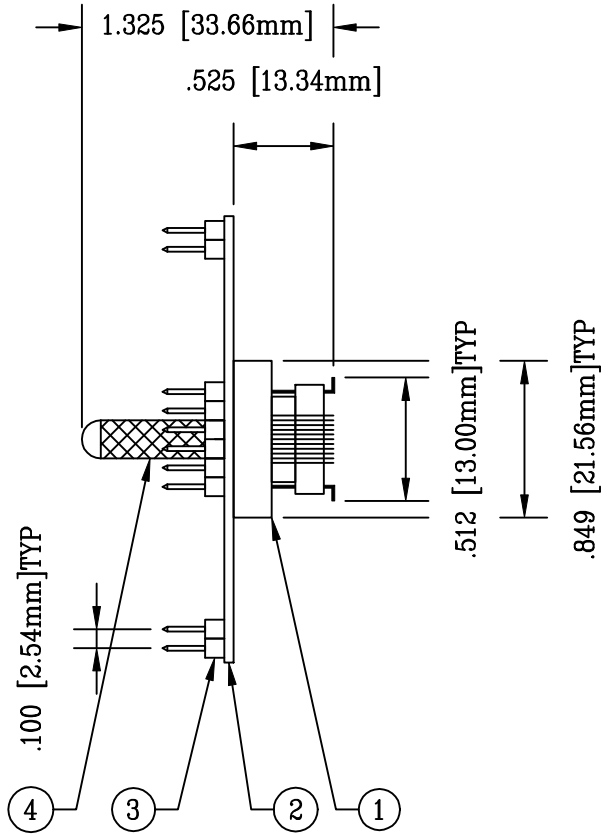
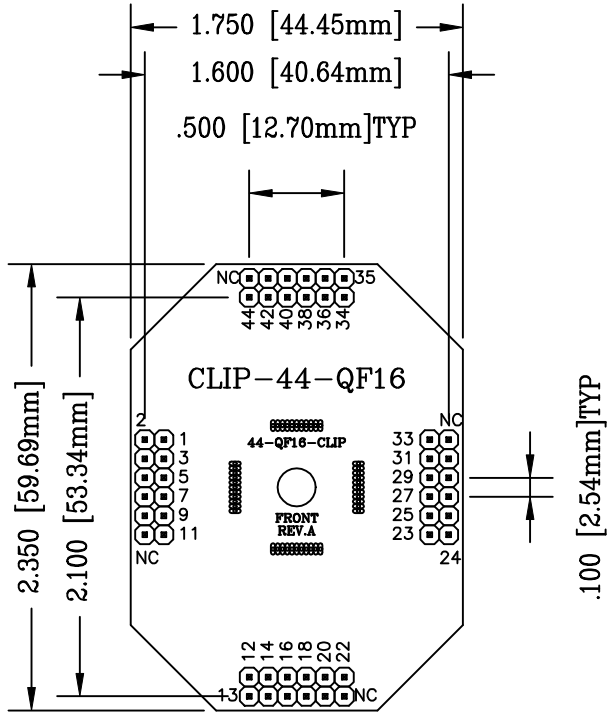


REV	DESCRIPTION	DATE
A	NEW DRAWING	2/9/00
B	UPDATED DIMMENSIONS	2/23/01

F1832
DOD 31832



NO.	ITEM	DESCRIPTION	QTY.
1	CLIP-044 QF16-B	CLIP SUB ASSEMBLY	1
2	44-QF16-CLIP	BASE BOARD	1
3	WWPOST-36-AS	PLASTIC ON TOP OF #2	2
4	CLIP-HNDL-2-56	CLIP HANDLE	1

ALL DIMENSIONS ARE IN INCHES UNLESS OTHERWISE SPECIFIED

**Emulation Technology, Inc.**  
 — VLSI and SMT ADAPTERS and ACCESSORIES —

2344 Walsh Avenue, Bldg. F  
 Santa Clara, Ca 95051

TEL: (408) 982-0660  
 FAX: (408) 982-0664

SHEET: 1 OF 1	DATE: 2/23/01	REVISION: A	<b>ASSEMBLY DRAWING</b>
CHECKED: Perry Munroe	DRAWN: Aaron Fine	ITEM: CLIP044QF16B	
DO NOT SCALE DRAWING			DESCRIPTION: CLIP-044-QF16-B