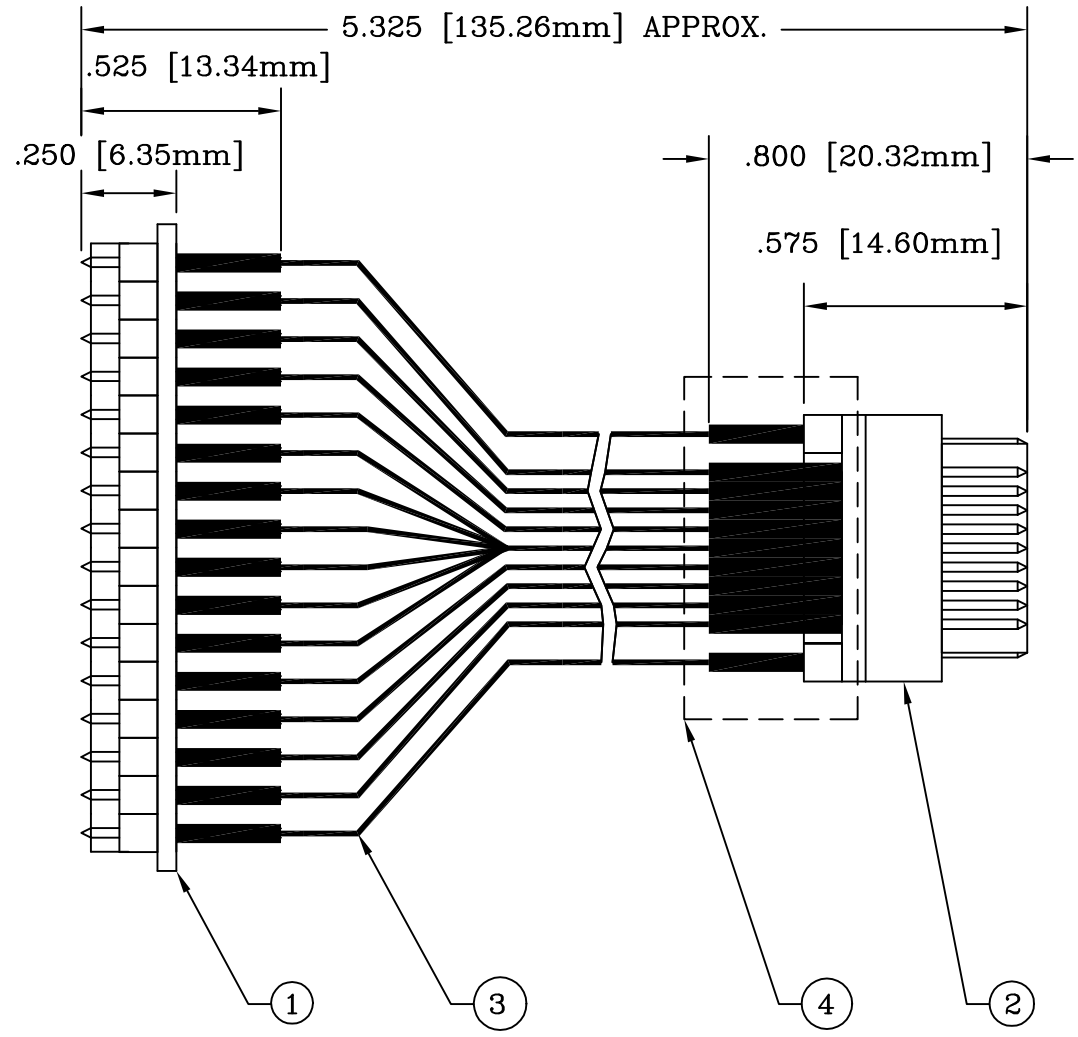
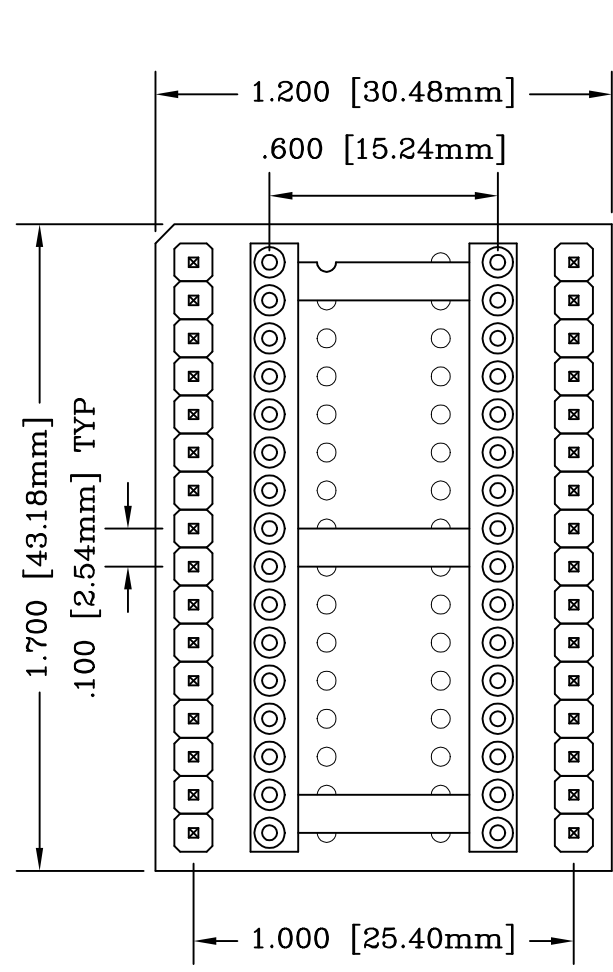


| REV | DESCRIPTION             | DATE     | BY   |
|-----|-------------------------|----------|------|
| A   | NEW DRAWING             | 3/1/93   | S.B. |
| B   | UPDATED DWG & ADDED # 4 | 04/24/02 | H.N. |

F1666  
DOD 31666



ALL DIMENSIONS ARE IN INCHES UNLESS OTHERWISE SPECIFIED



**Emulation Technology, Inc.**  
— VLSI and SMT ADAPTERS and ACCESSORIES —  
2344 Walsh Avenue, Bldg.F Santa Clara, Ca 95051  
TEL:(408)982-0660 FAX:(408)982-0664

| NO. | ITEM            | DESCRIPTION          | QTY. |
|-----|-----------------|----------------------|------|
| 1   | AX-32-DIP       | TOP SUB ASSEMBLY     | 1    |
| 2   | 323201PCC-SUB   | BOTTOM SUB ASSEMBLY  | 1    |
| 3   | 03-3104         | INTERCONNECT #1 & #2 | 4    |
| 4   | SHRINK-TUBE-1.0 | 1" LONG PIECE        | 1    |

|                       |                      |                                     |                         |
|-----------------------|----------------------|-------------------------------------|-------------------------|
| SHEET: 1 OF 1         | DATE: 04/24/02       | REVISION: B                         | <b>ASSEMBLY DRAWING</b> |
| CHECKED: Perry Munroe | DRAWN: Huy Nguyen    | ITEM: 323201DPCC-GANG               |                         |
| Scale 1:2             | DO NOT SCALE DRAWING | DESCRIPTION: AS-DIP-PCC-1MEG/EPROMG |                         |