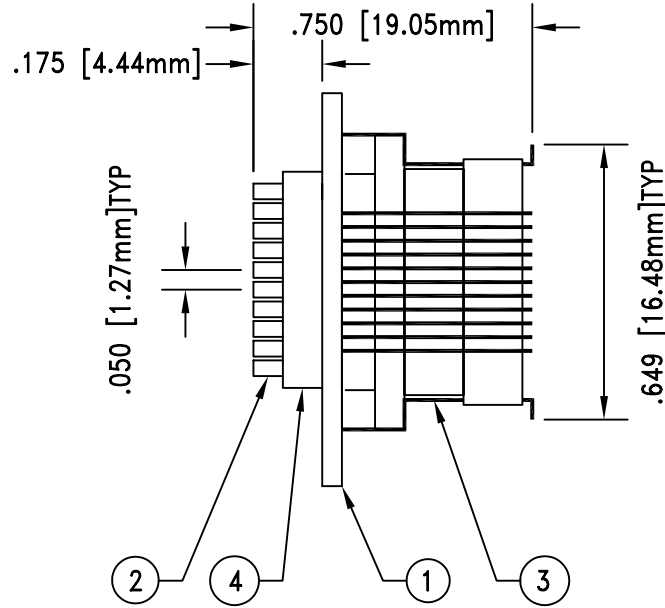
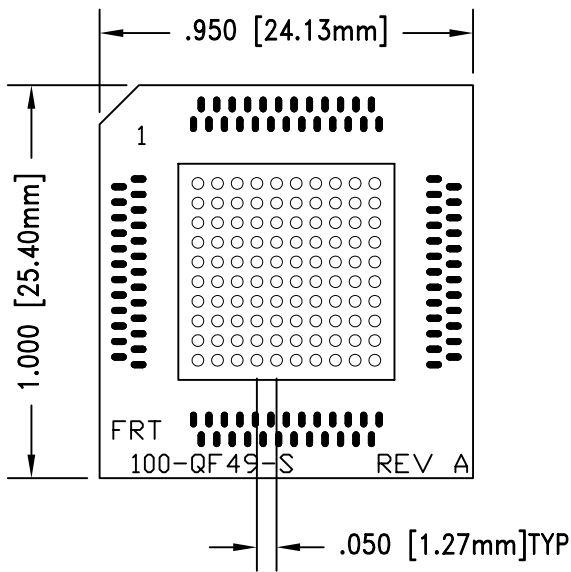
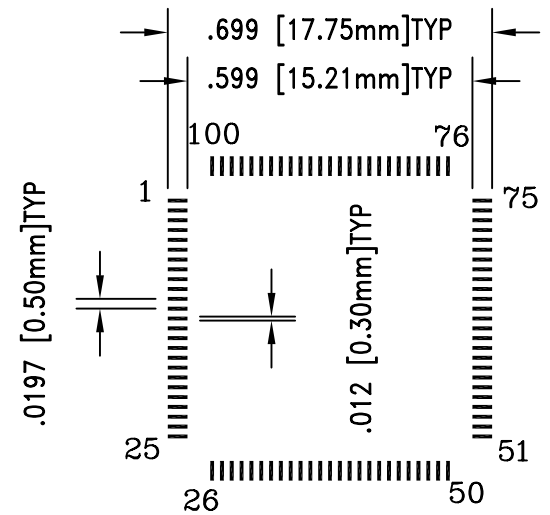


REV	DESCRIPTION	DATE	BY
A	NEW DRAWING	11/07/00	A.F.
B	CORRECTED PITCH	04/06/09	JAG



RECOMMENDED  
MINIMUM PAD LAYOUT

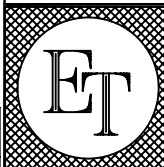


PIN MAP

1	100	98	95	92	90	85	81	78	76
3	2	99	96	91	89	84	80	77	75
6	5	4	97	93	88	83	79	74	73
10	9	8	7	94	87	82	72	71	70
15	14	13	12	11	86	69	68	66	67
17	16	18	19	36	61	62	63	64	65
20	21	22	32	37	44	57	58	59	60
23	24	29	33	38	43	47	54	55	56
25	27	30	34	39	41	46	49	52	53
26	28	31	35	40	42	45	48	50	51

SCALE 2:1

ALL DIMENSIONS ARE IN INCHES [MM] UNLESS OTHERWISE SPECIFIED



**Emulation Technology, Inc.**

— VLSI and SMT ADAPTERS and ACCESSORIES —

759 FLYNN ROAD  
CAMARILLO, CA 93012

TEL:(805)383-8480  
FAX:(805)383-8484

SHEET: 1 OF 1    DATE: 11/7/00    REVISION: B    **ASSEMBLY DRAWING**

CHECKED: Paula Olson    DRAWN: Aaron Fine    ITEM: EPP100QF49SM

DO NOT SCALE DRAWING    DESCRIPTION: EPP-100-QF49-SM

NO.	ITEM	DESCRIPTION	QTY.
1	100-QF49-S	BASE BOARD	1
2	PINS2	MOUNT ON FRONT OF #1	100
3	QF49-SPACER-A	MOUNT ON REAR OF #1	1
4	10X10-PIN-HLDR	PLUG ON TOP #1 W/#2	1