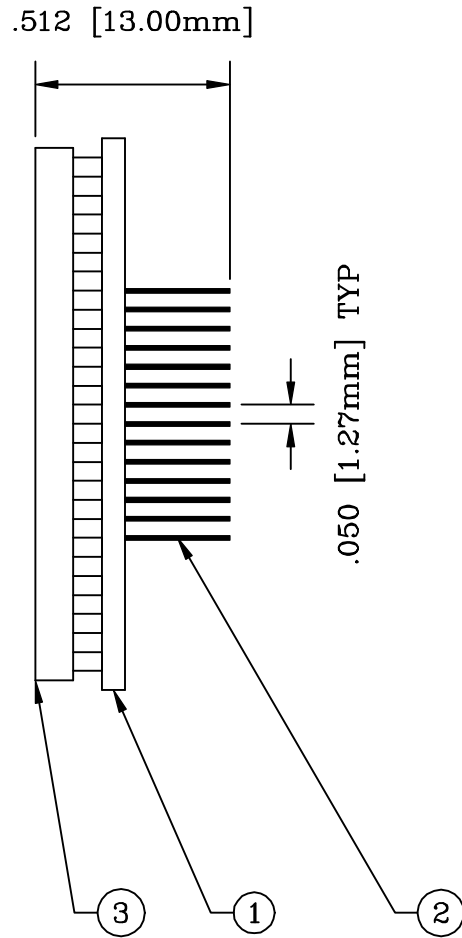
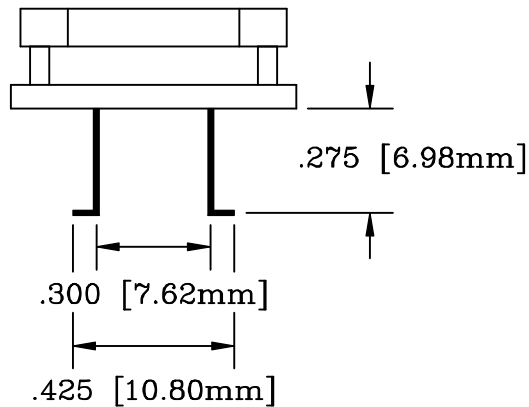
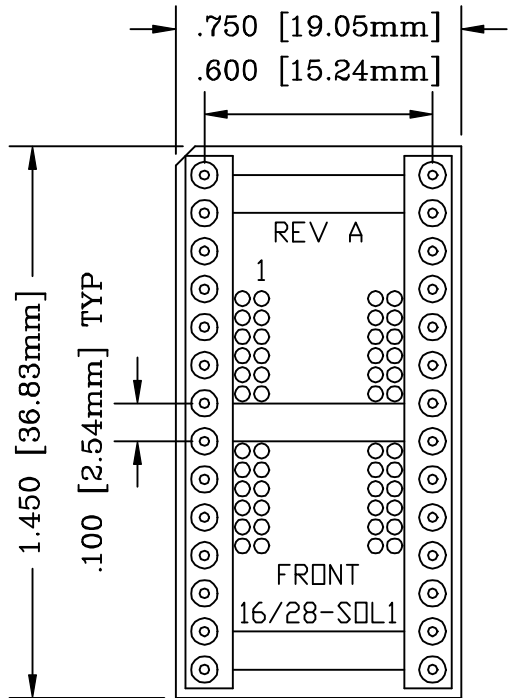


REV	DESCRIPTION	DATE	BY
A	NEW DRAWING	1/5/00	J.G.
B	UPDATED DWG & ADDED DIMS	05/29/02	H.N.

F1408
DOD 31408



ALL DIMENSIONS ARE IN INCHES UNLESS OTHERWISE SPECIFIED

Emulation Technology, Inc.
 — VLSI and SMT ADAPTERS and ACCESSORIES —

2344 Walsh Avenue, Bldg.F Santa Clara, Ca 95051
 TEL:(408)982-0660 FAX:(408)982-0664

ASSEMBLY DRAWING

SHEET: 1 OF 1 DATE: 05/29/02 REVISION: B

CHECKED: Perry Munroe DRAWN: Huy Nguyen

Scale 1:2 DO NOT SCALE DRAWING

ITEM: ASDIP.6028S003
 DESCRIPTION: AS-DIP.6-028-S003-1

NO.	ITEM#	DESCRIPTION	QTY.
1	16/28-SOL1	BASE BOARD	1
2	WWPOST-SMT-.012	MOUNT ON REAR/ INSD ROWS	28
3	S-DIP-00-028-A	MOUNT ON FRONT OF #1	1