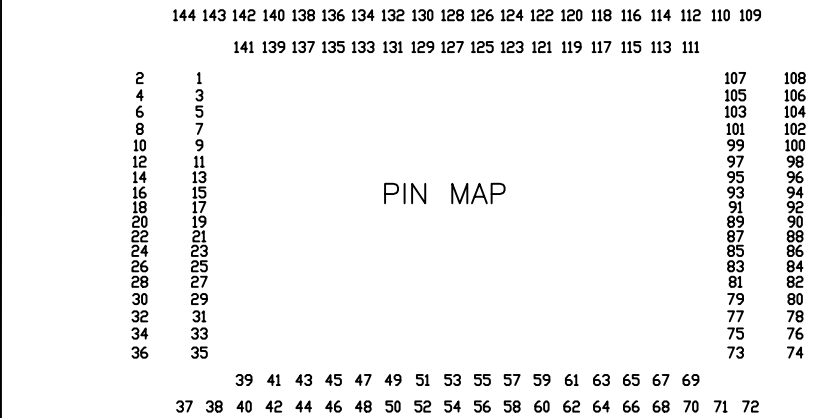
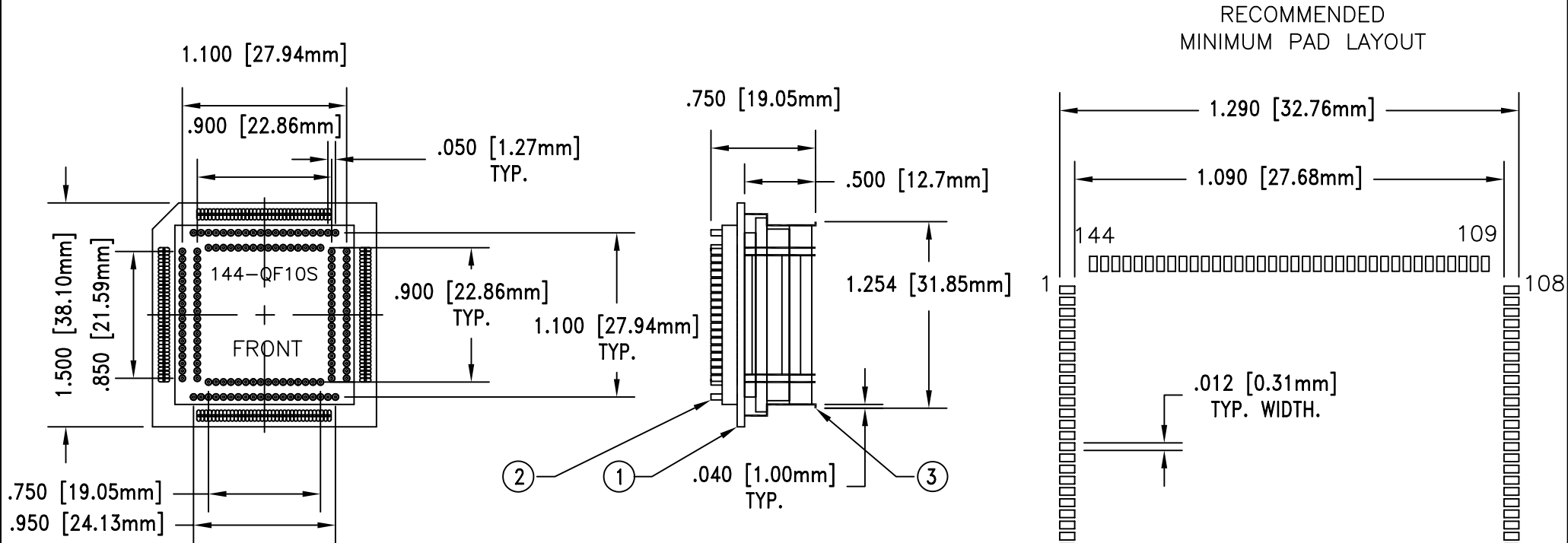
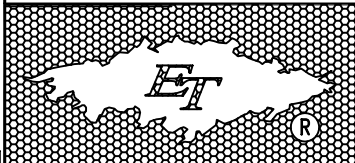


REV	DESCRIPTION	DATE	BY
A	NEW DRAWING	11/7/00	A.F.
B	UPDATED BOM: CHANGED #2	8/15/01	A.F.

F1360



ALL DIMENSIONS ARE IN INCHES UNLESS OTHERWISE SPECIFIED



Emulation Technology, Inc.
 — VLSI and SMT ADAPTERS and ACCESSORIES —

2344 Walsh Avenue, Bldg.F Santa Clara, Ca 95051
 TEL:(408)982-0660 FAX:(408)982-0664

NO.	ITEM	DESCRIPTION	QTY.
1	144-QF10S	BASE BOARD	1
2	PINS2	MOUNT ON FRONT OF #1	144
3	QF10-SPACER-A	MOUNT ON REAR OF #1	1

SHEET: 1 OF 1	DATE: 8/15/01	REVISION: B	ASSEMBLY DRAWING
CHECKED: Perry Munroe	DRAWN: Aaron Fine	ITEM: EPP144QF10SM	
Scale 1:1	DO NOT SCALE DRAWING	DESCRIPTION: EPP-144-QF10-SM	