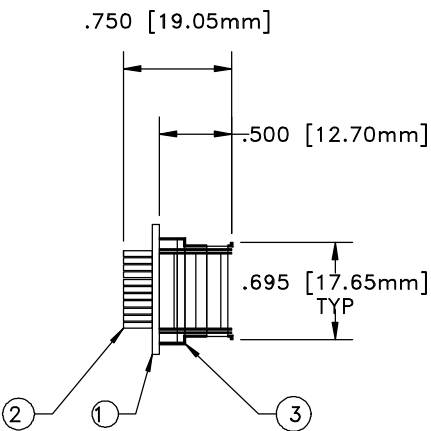
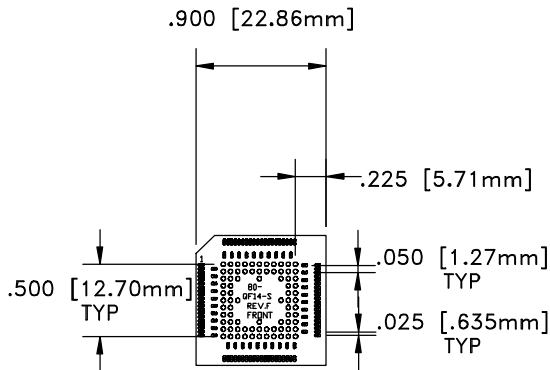
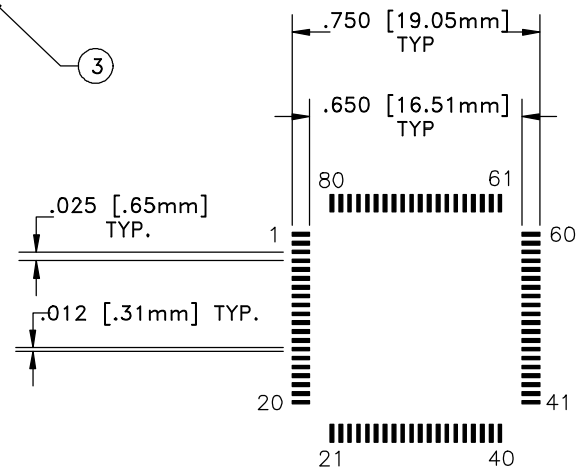


F1199
DOD 31199



RECOMMENDED
MINIMUM PAD LAYOUT



| | | | | | | | | | | |
|----|----|----|----|----|----|----|----|----|----|----|
| 1 | 80 | 78 | 76 | 74 | 72 | 69 | 67 | 65 | 63 | 61 |
| 3 | 2 | 79 | 77 | 75 | 73 | 70 | 68 | 66 | 62 | 60 |
| 5 | 6 | 4 | | 71 | | 64 | 59 | 58 | | |
| 7 | 8 | | | | | | | 57 | 56 | |
| 9 | 10 | | | | | | | 55 | 54 | |
| 12 | 13 | 11 | | | | | | 51 | 53 | 52 |
| 14 | 15 | | | | | | | 50 | 49 | |
| 16 | 17 | | | | | | | 48 | 47 | |
| 18 | 19 | 24 | | 31 | | 44 | 46 | 45 | | |
| 20 | 22 | 26 | 28 | 30 | 33 | 35 | 37 | 39 | 42 | 43 |
| 21 | 23 | 25 | 27 | 29 | 32 | 34 | 36 | 38 | 40 | 41 |

PIN MAP

Emulation Technology, Inc.
— VLSI and SMT ADAPTERS and ACCESSORIES —
2344 Walsh Avenue, Bldg. F Santa Clara, Ca 95051
TEL:(408)982-0660 FAX:(408)982-0664

| NO. | ITEM | DESCRIPTION | QTY. |
|-----|---------------|----------------------|------|
| 1 | 80-QF14S | BASE BOARD | 1 |
| 2 | PINS2 | MOUNT ON FRONT OF #1 | 80 |
| 3 | QF14-SPACER-A | MOUNT ON REAR OF #1 | 1 |

| | | | |
|----------------------|--------------------------|--------------------|-------------------------------|
| SHEET: 1 OF 1 | DATE: 10-13-00 | REVISION: | ASSEMBLY DRAWING |
| CHECKED: Paula Olson | DRAWN: Miguel DelGadillo | ITEM: EPP080QF14SM | |
| DO NOT SCALE DRAWING | | | DESCRIPTION: EPP-080-QF14A-SM |