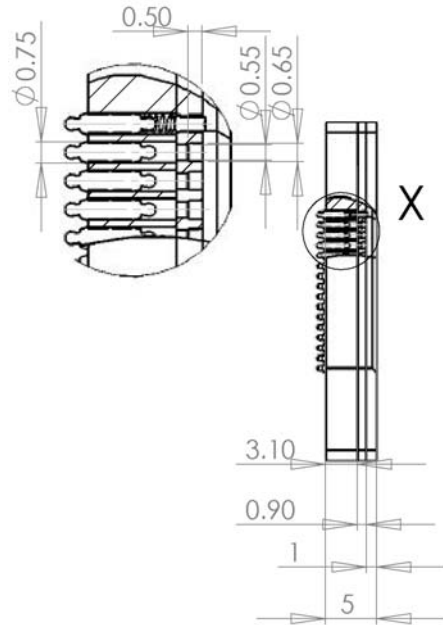


REV	DESCRIPTION	DATE	BY
A	NEW DRAWING	5/18/05	SC

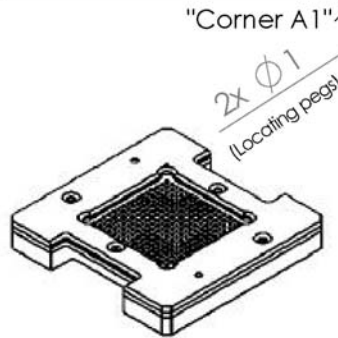
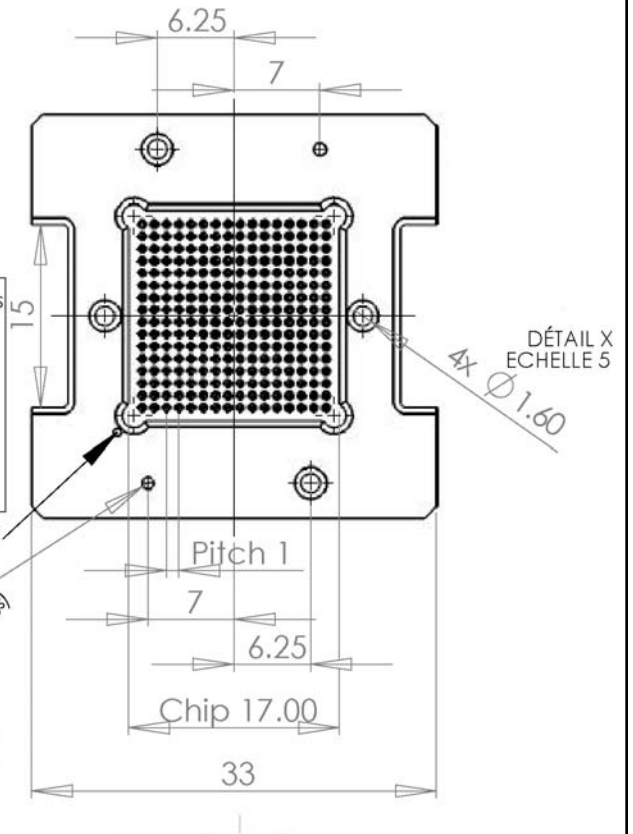
SKT2308



Socket

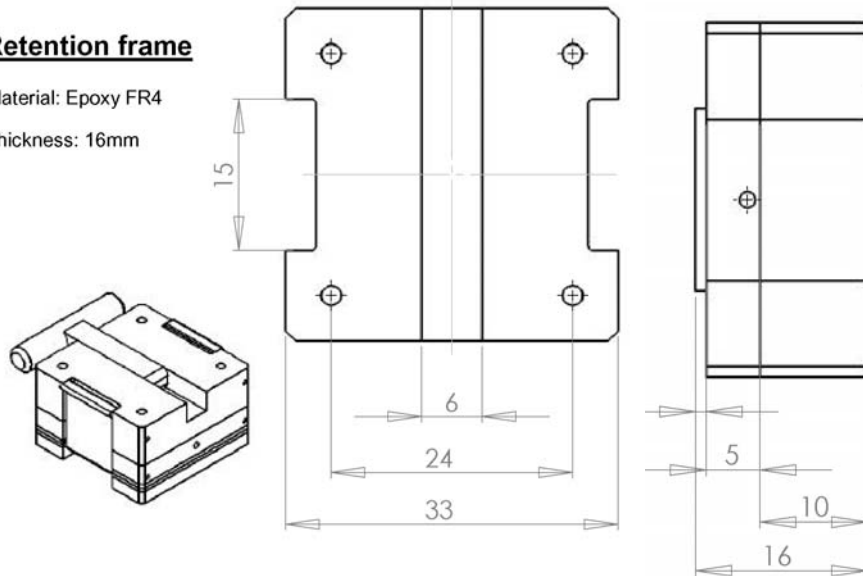
Material: TG 200
 Thickness: 5.00 mm
 256 contacts

Optional with Locating pegs
 Recommended PCB layout for BGA
 PCB holes for locating pegs - $\varnothing 1.10 \pm 0.02$
 PCB pad diameter -minimum $\varnothing 0.80$



Retention frame

Material: Epoxy FR4
 Thickness: 16mm



ALL DIMENSIONS ARE IN INCHES UNLESS OTHERWISE SPECIFIED



Emulation Technology, Inc.

VLSI and SMT ADAPTERS and ACCESSORIES

2344 Walsh Avenue, Bldg F
 Santa Clara, CA 95051

TEL: (408) 982-0660
 FAX: (408) 982-0664

SHEET: 1 OF 1	DATE: 5/18/05	REVISION: A	ASSEMBLY DRAWING
CHECKED: Joe Bagliere	DRAWN: SC	ITEM: S-MBQ-16-256-SM	
SCALED: N/A	DO NOT SCALE DRAWING	DESCRIPTION: BUQ-256-3BG016-30	