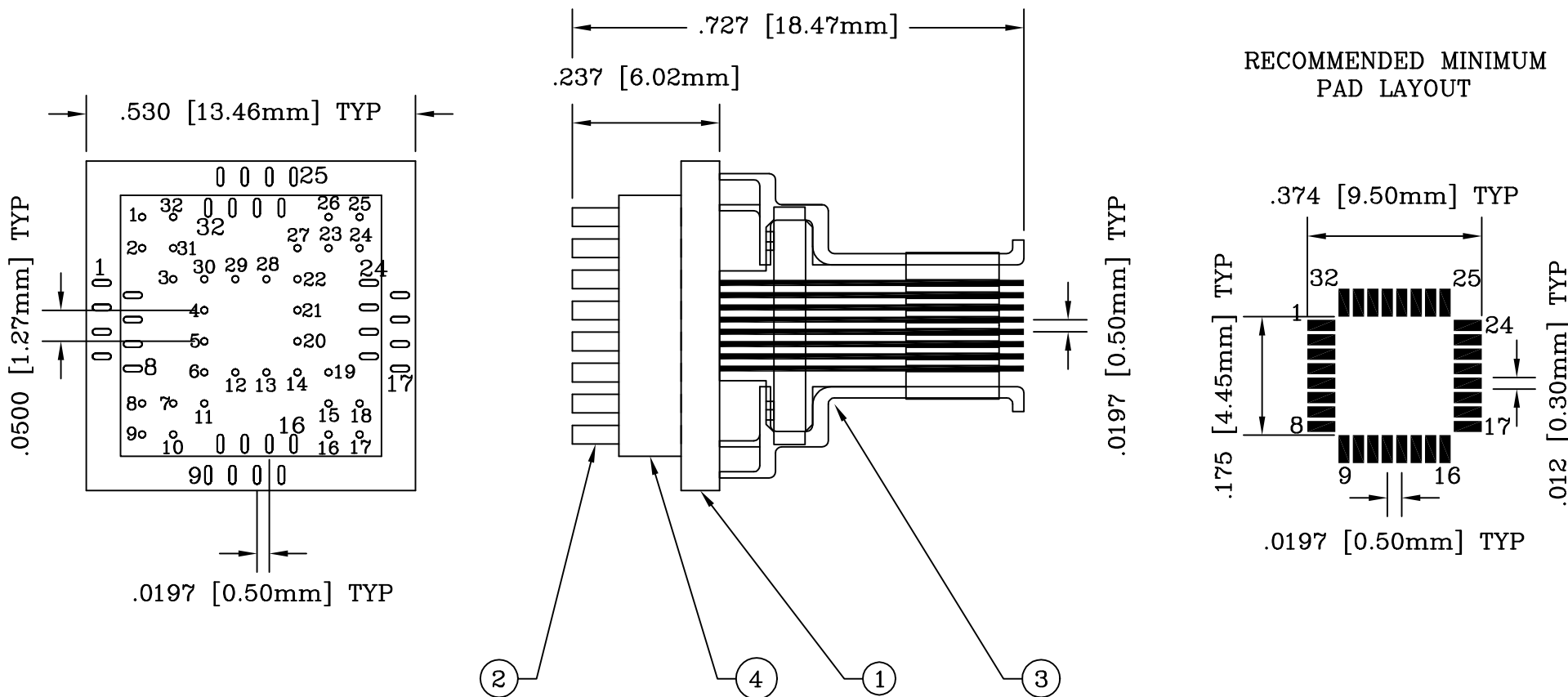


REV	DESCRIPTION	DATE	BY
A	NEW DRAWING	07/18/03	H.N.

F6999
DOD 36999



ALL DIMENSIONS ARE IN INCHES UNLESS OTHERWISE SPECIFIED

Emulation Technology, Inc.
— VLSI and SMT ADAPTERS and ACCESSORIES —

2344 Walsh Avenue, Bldg.F Santa Clara, Ca 95051
TEL:(408)982-0660 FAX:(408)982-0664

ASSEMBLY DRAWING

SHEET: 1 OF 1 DATE: 07/18/03 REVISION: A

CHECKED: Perry Munroe DRAWN: Huy Nguyen

Scale 4:1 DO NOT SCALE DRAWING

ITEM: EPP032QF60DSM
DESCRIPTION: EPP-032-QF60D-SM

NO.	ITEM	DESCRIPTION	QTY.
1	32-QF60D-S	BASE BOARD	1
2	PINS2	MOUNT ON TOP # 1	32
3	QF60-SPACER-D	MOUNT ON REAR # 1	1
4	8X8-PIN-HOLDER	MOUNT TOP # 1 WITH # 2	1