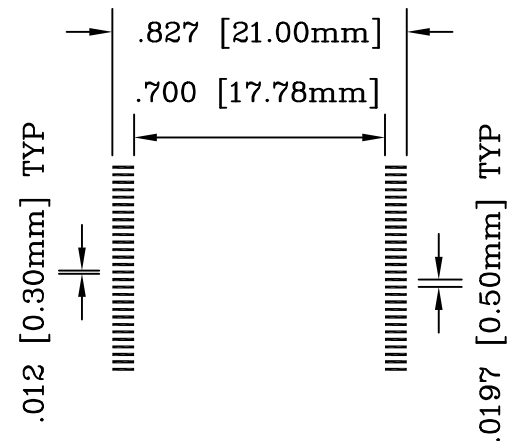
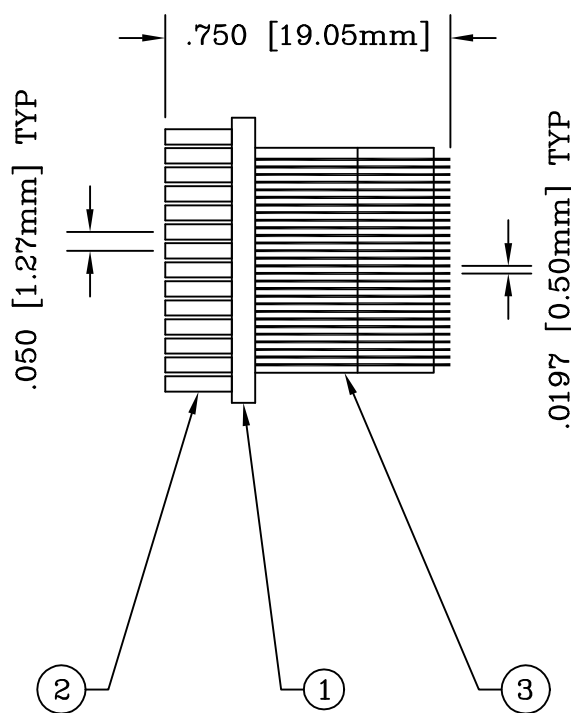
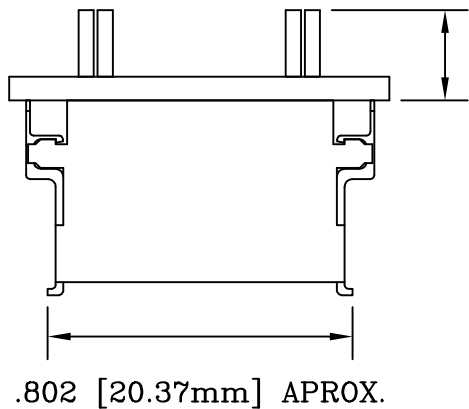
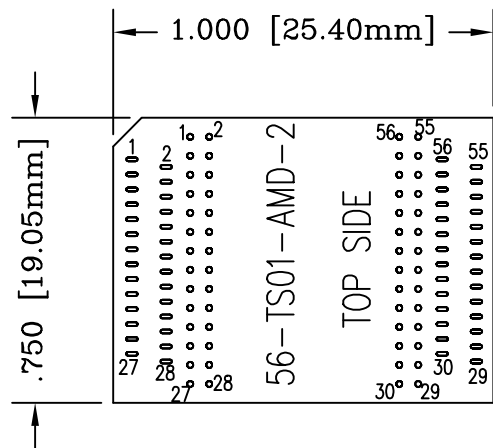


REV	DESCRIPTION	DATE	BY
A	NEW DRAWING	05/21/03	H.N.

F6868
DOD 36868



RECOMMENDED PAD LAYOUT

ALL DIMENSIONS ARE IN INCHES UNLESS OTHERWISE SPECIFIED



Emulation Technology, Inc.

— VLSI and SMT ADAPTERS and ACCESSORIES —

2344 Walsh Avenue, Bldg.F Santa Clara, Ca 95051
TEL:(408)982-0660 FAX:(408)982-0664

NO.	ITEM	DESCRIPTION	QTY.
1	56-TS01-AMD-2	BASE BOARD	1
2	PINS2	SOLDER INTO FRONT # 1	112
3	TS01-SPACER-56	SOLDER INTO BOTTOM # 1	1

SHEET: 1 OF 1	DATE: 05/21/03	REVISION: A	ASSEMBLY DRAWING
CHECKED: Perry Munroe	DRAWN: Huy Nguyen	ITEM: EPP056TS01SM	
Scale 2:1	DO NOT SCALE DRAWING	DESCRIPTION: EPP-056-TS01-SM	