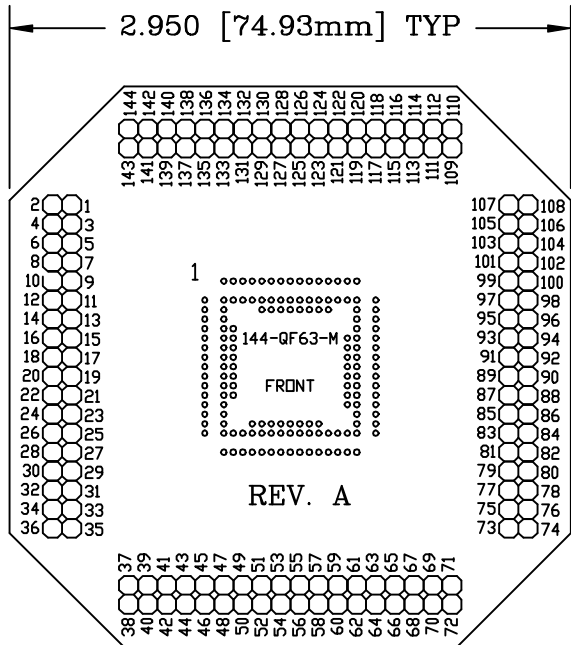


REV	DESCRIPTION	DATE	BY
A	NEW DRAWING	04/25/03	H.N.

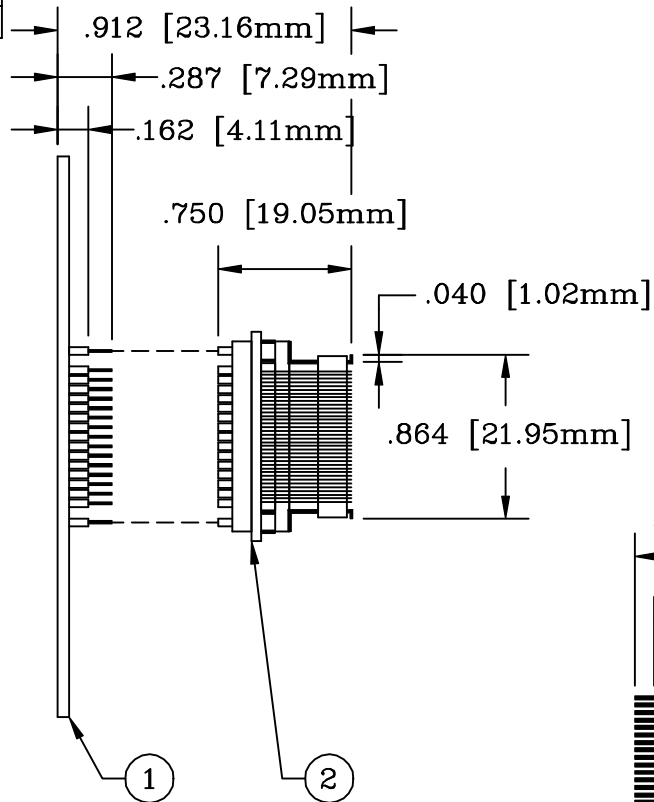
F6844
DOD 36844



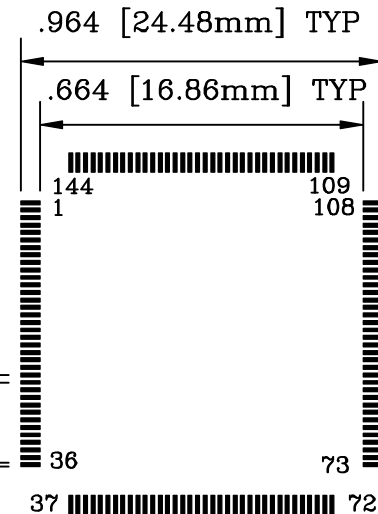
143 141 139 137 135 131 129 127 123 121 119 115 113 111 109

1	144 142 140 138 134 132 128 126 124 120 118 116 112 110 108	107
3	2 136 133 130 125 122 117 114	106 105
5	4	104 103
7	8 6	102 101
11	10 9	100 98 99
13	12	97 96 95
15	16 14	94 92 93
19	18 17	89 90 91
21	20 22	86 88 87
23	24 25	84 85
27	26 28	81 82 83
29	30	78 80 79
31	32	76 77
33	34 42 45 50 53 58 61 64	74 75
35	36 38 40 44 46 48 52 54 56 60 62 66 68 70 72	73
	37 39 41 43 47 49 51 55 57 59 63 65 67 69 71	

PIN MAP

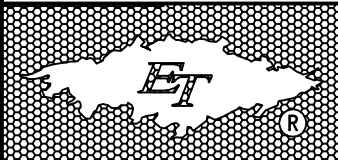


.0197 [0.50mm] TYP
.012 [0.30mm] TYP



RECOMMENDED
MINIMUM PAD LAYOUT

ALL DIMENSIONS ARE IN INCHES UNLESS OTHERWISE SPECIFIED



Emulation Technology, Inc.
— VLSI and SMT ADAPTERS and ACCESSORIES —

2344 Walsh Avenue, Bldg.F Santa Clara, Ca 95051
TEL:(408)982-0660 FAX:(408)982-0664

NO.	ITEM	DESCRIPTION	QTY.
1	EP5-144-QF63-NW	TOP SUB ASSEMBLY	1
2	EPP144QF63SM	BOTTOM SUB ASSEMBLY	1

SHEET: 1 OF 1	DATE: 04/25/03	REVISION: A	ASSEMBLY DRAWING
CHECKED: Perry Munroe	DRAWN: Hanh Nguyen	ITEM: EPP144QF63NW	
Scale 1:1	DO NOT SCALE DRAWING	DESCRIPTION: EPP-144-QF63-NW	