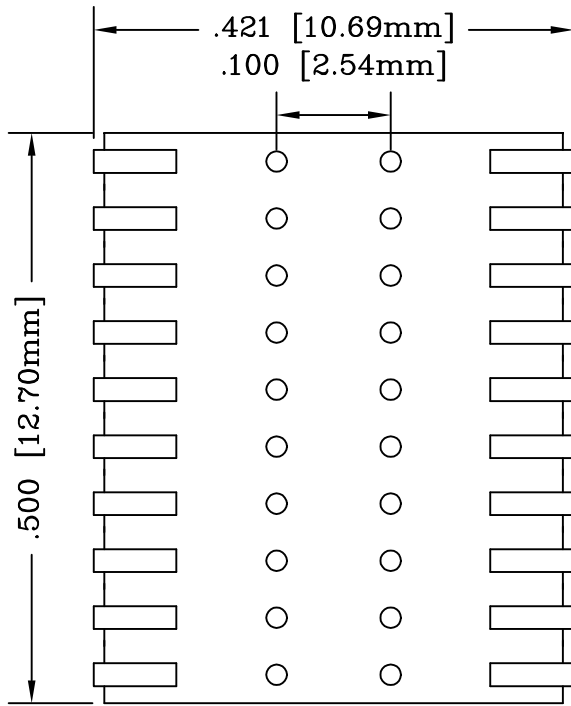
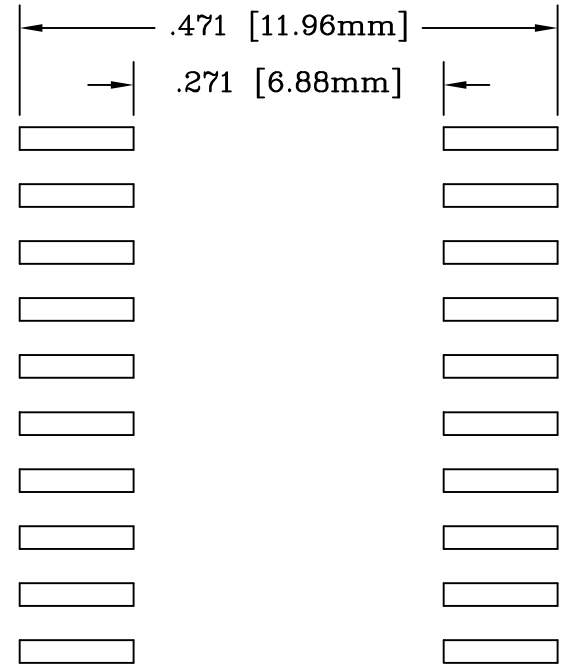
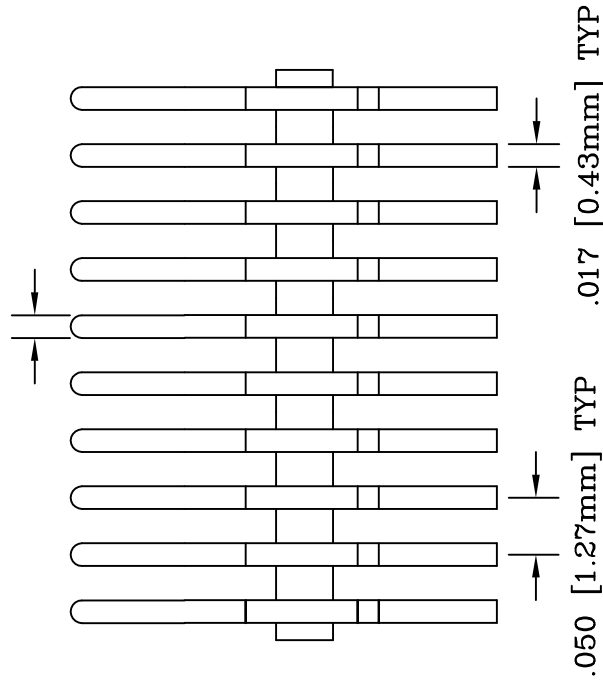


REV	DESCRIPTION	DATE	BY
A	NEW DRAWING	10/11/02	H.N.

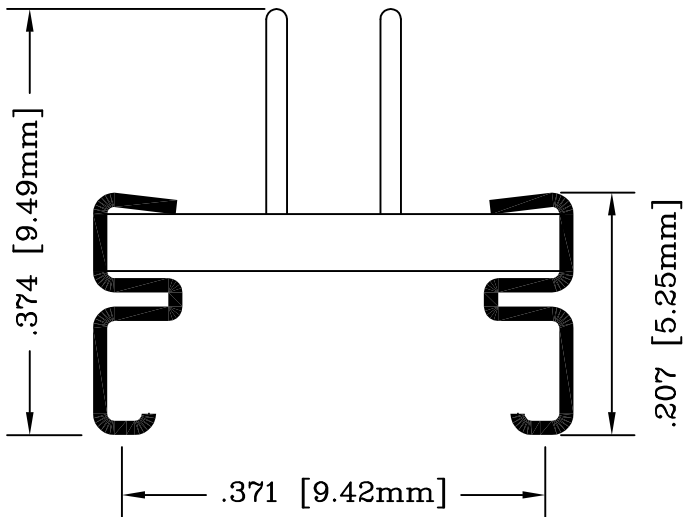
F6200
DOD 36200



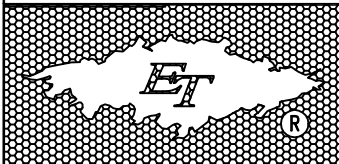
ϕ .018 [ϕ 0.46mm] TYP



RECOMMENDED PADS LAYOUT



ALL DIMENSIONS ARE IN INCHES UNLESS OTHERWISE SPECIFIED



Emulation Technology, Inc.
— VLSI and SMT ADAPTERS and ACCESSORIES —
2344 Walsh Avenue, Bldg.F Santa Clara, Ca 95051
TEL:(408)982-0660 FAX:(408)982-0664

SHEET: 1 OF 1	DATE: 10/11/02	REVISION: A	ASSEMBLY DRAWING
CHECKED: Perry Munroe	DRAWN: Huy Nguyen	ITEM: EPP020S003M	DESCRIPTION: EPP-020-S003-SM-M
Scale 1:6	DO NOT SCALE DRAWING		