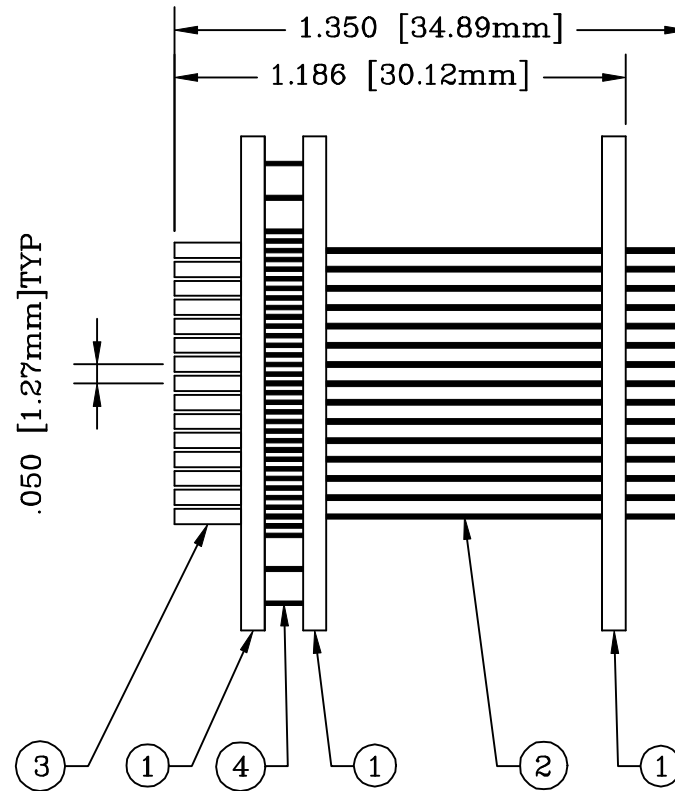


SCALE 2:1



ALL DIMENSIONS ARE IN INCHES UNLESS OTHERWISE SPECIFIED



**Emulation Technology, Inc.**  
 — VLSI and SMT ADAPTERS and ACCESSORIES —

2344 Walsh Avenue, Bldg. F  
 Santa Clara, Ca 95051

TEL:(408)982-0660  
 FAX:(408)982-0664

NO.	ITEM	DESCRIPTION	QTY.
1	132-QF03-S	BASE BOARD	3
2	PIN-.020-PC	BARB AT FEMALE END	132
3	PINS2	MOUNT ON TOP OF #1	144
4	WWPOST-SMT-.012	BETWN 2#1'S @ FEMALE	132

SHEET: 1 OF 1	DATE: 10/30/00	REVISION:
CHECKED: Paula Olson	DRAWN: Aaron Fine	
DO NOT SCALE DRAWING		

<b>ASSEMBLY DRAWING</b>	
ITEM:	EPP132QF03SMEXT
DESCRIPTION:	EPP-132-QF03-SM-EXT