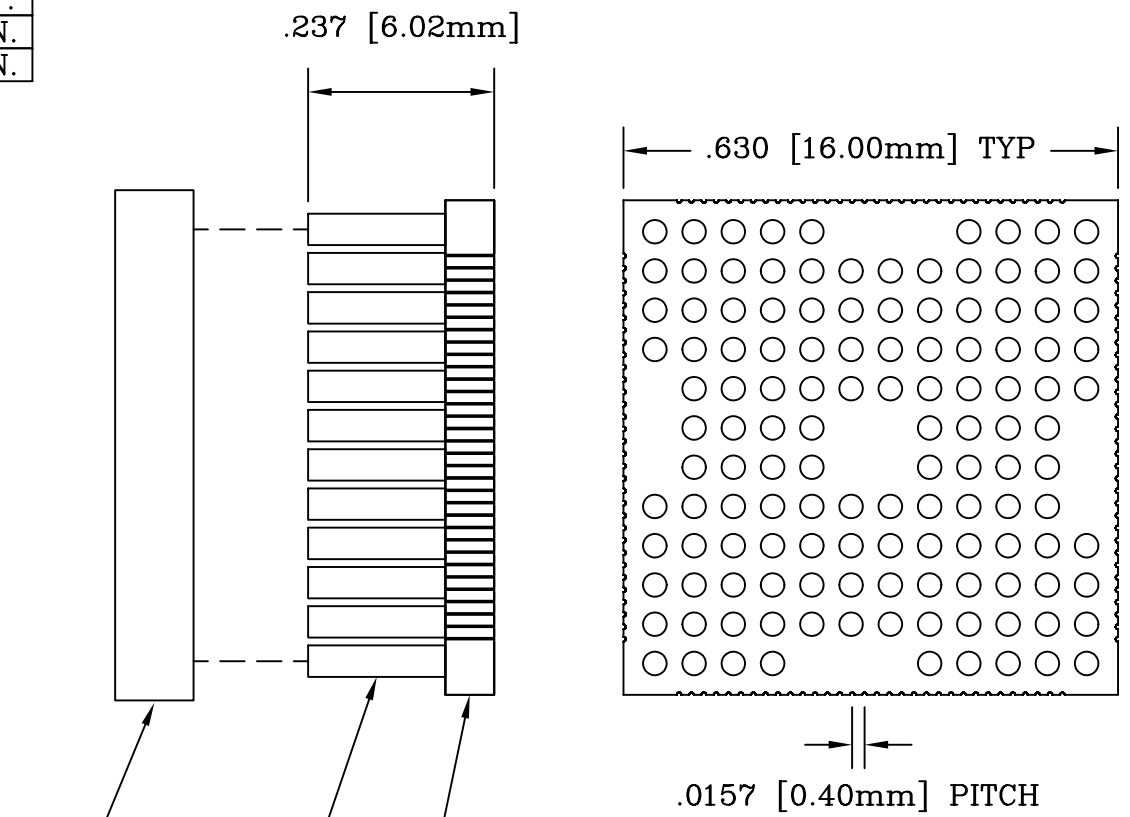
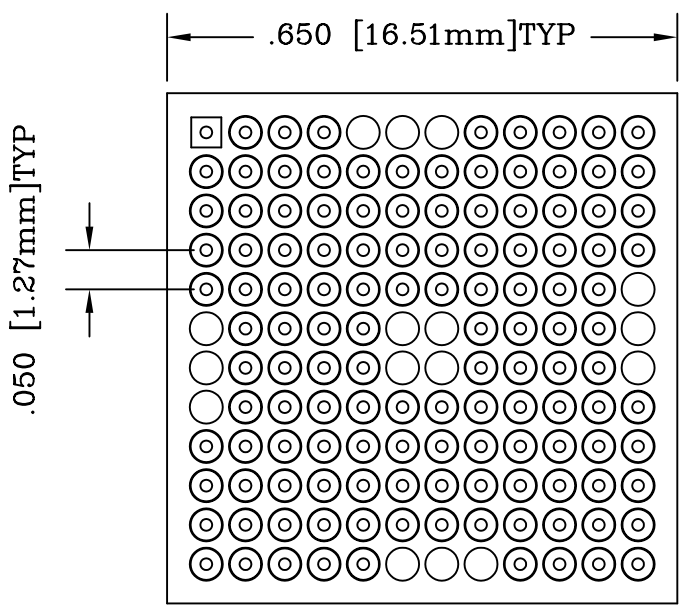


REV	DESCRIPTION	DATE	BY
A	NEW DRAWING	02/06/01	A.F.
B	UPDATED PIN MAP	07/14/04	H.N.
C	ADDED BOTTOM VIEW & PACKAGE	02/25/05	H.N.

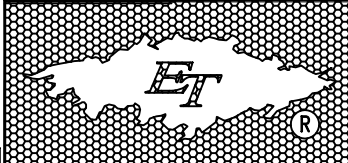
F6145



1	128	127	125				107	103	100	98	97
2	3	126	124	122	115	111	108	104	101	99	96
4	5	6	123	121	116	112	109	105	102	94	95
7	8	9	10	120	117	113	110	106	91	92	93
11	12	13	14	119	118	114	87	88	89	90	
	15	16	17	18			86	85	84	83	
	19	20	21	22			82	81	80	79	
	26	25	24	23	50	54	55	78	77	76	75
29	28	27	42	46	49	53	56	74	73	72	71
31	30	38	41	45	48	52	57	59	70	69	68
32	35	37	40	44	47	51	58	60	62	67	66
33	34	36	39	43				61	63	64	65

PIN MAP

ALL DIMENSIONS ARE IN INCHES UNLESS OTHERWISE SPECIFIED

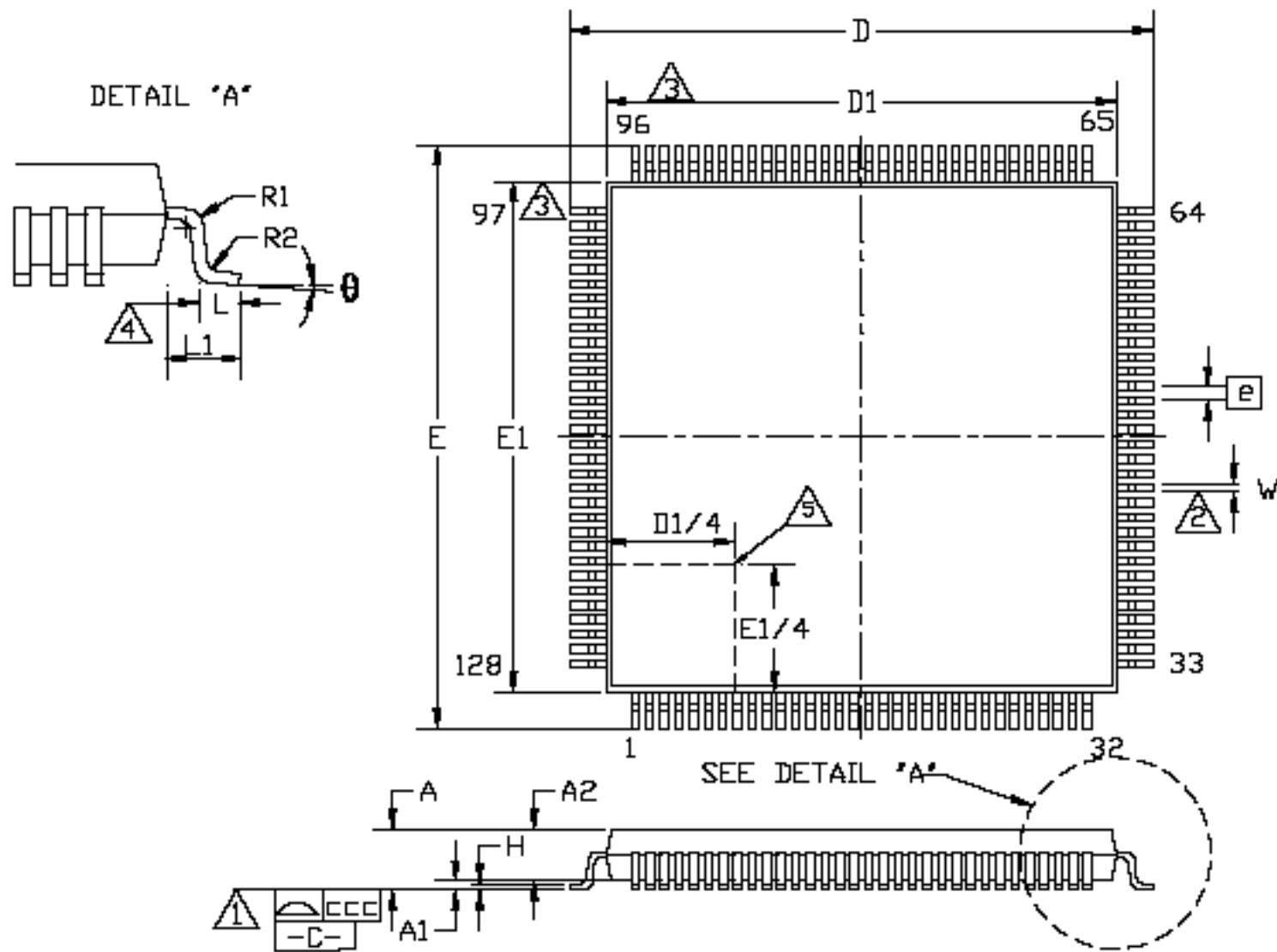


Emulation Technology, Inc.
 — VLSI and SMT ADAPTERS and ACCESSORIES —
 2344 Walsh Avenue, Bldg.F Santa Clara, Ca 95051
 TEL:(408)982-0660 FAX:(408)982-0664

NO.	ITEM	DESCRIPTION	QTY.
1	128-QF57-S-LP	BASE BOARD	1
2	PINS2	MOUNT ON FRONT OF #1	128
3	SPACER-28BG012	USE WITH PINS2	1

SHEET: 1 OF 2	DATE: 02/25/05	REVISION: C	ASSEMBLY DRAWING
CHECKED: Perry Munroe	DRAWN: Huy Nguyen	ITEM: EPP128QF57SMLP	
Scale 4:1	DO NOT SCALE DRAWING	DESCRIPTION: EPP-128-QF57-SMLP	

128 PIN VTQFP PACKAGE OUTLINE, 14X14X1.0 BODY, 2 MM FOOTPRINT



	Min	Nominal	Max	Remarks
A	~	~	1.20	Overall Package Height
A1	0.05	~	0.15	Standoff
A2	0.95	~	1.05	Body Thickness
D	15.80	~	16.20	X Span
D1	13.80	~	14.20	X body Size
E	15.80	~	16.20	Y Span
E1	13.80	~	14.20	Y body Size
H	0.09	~	0.20	Lead Frame Thickness
L	0.45	0.60	0.75	Lead Foot Length
L1	~	1.00	~	Lead Length
e	0.40 Basic			Lead Pitch
θ	0°	~	7°	Lead Foot Angle
W	0.13	0.18	0.23	Lead Width
R1	0.08	~	~	Lead Shoulder Radius
R2	0.08	~	0.20	Lead Foot Radius
ccc	~	~	0.08	Coplanarity