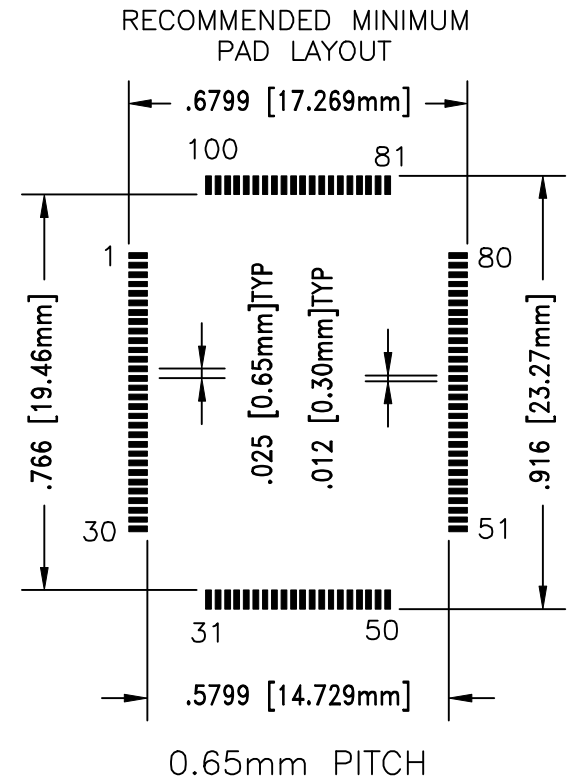
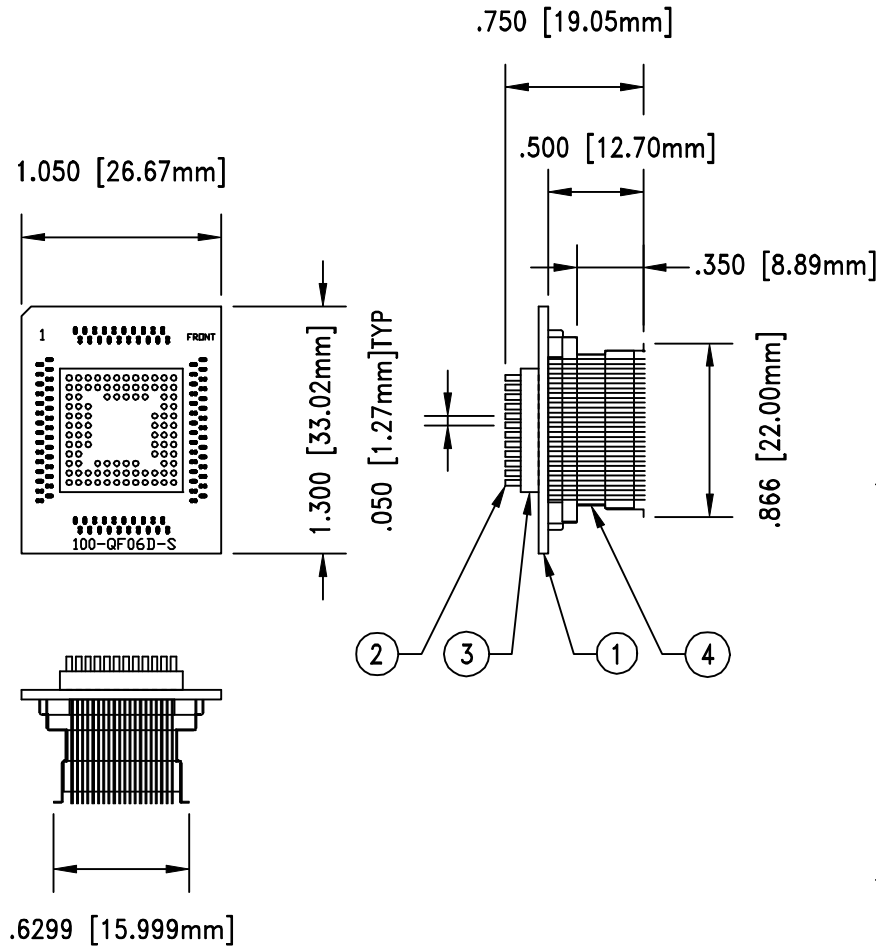


F6134

DOD 36134



3	2	100	99	97	94	91	88	85	82	79	80	
5	4	1	98	96	93	90	87	84	81	77	78	
7	6		95	92	89	86	83			75	76	
10	9	8									73	74
13	12	11								70	71	72
16	15	14								67	68	69
19	18	17								64	65	66
22	21	20								61	62	63
24	23									58	59	60
26	25		33	36	39	42	45			56	57	
28	27	31	34	37	40	43	46	48	51	54	55	
30	29	32	35	38	41	44	47	49	50	52	53	

NO.	ITEM	DESCRIPTION	QTY.
1	100-QF06D-S	BASE BOARD	1
2	PINS2	MOUNT ON TOP OF #1	100
3	SPACER-2BG012	MNT TOP WITH #2	1
4	QF06-SPACER-D	MOUNT ON REAR OF #1	1

ALL DIMENSIONS ARE IN INCHES UNLESS OTHERWISE SPECIFIED



Emulation Technology, Inc.
 — VLSI and SMT ADAPTERS and ACCESSORIES —

2344 Walsh Avenue, Bldg. F
 Santa Clara, Ca 95051

TEL:(408)982-0660
 FAX:(408)982-0664

SHEET: 1 OF 1	DATE: 10/19/00	REVISION:
CHECKED: <i>Paula Olson</i>	DRAWN: Aaron Fine	
DO NOT SCALE DRAWING		

ASSEMBLY DRAWING	
ITEM:	EPP100QF06DSM
DESCRIPTION:	EPP-100-QF06D-SM