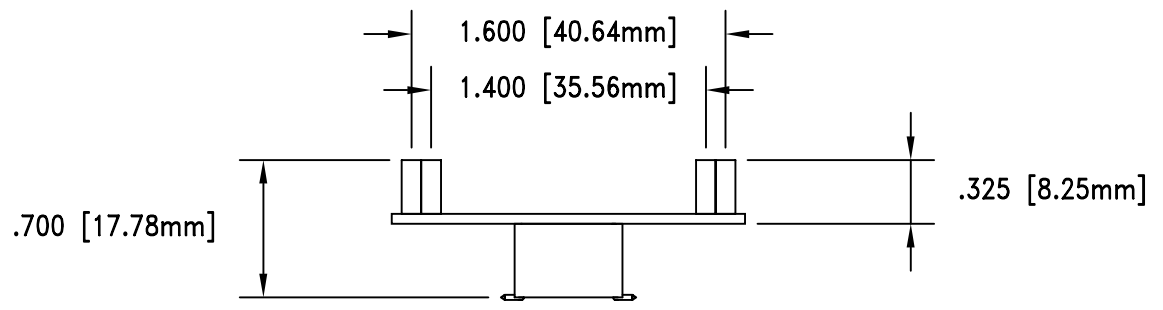
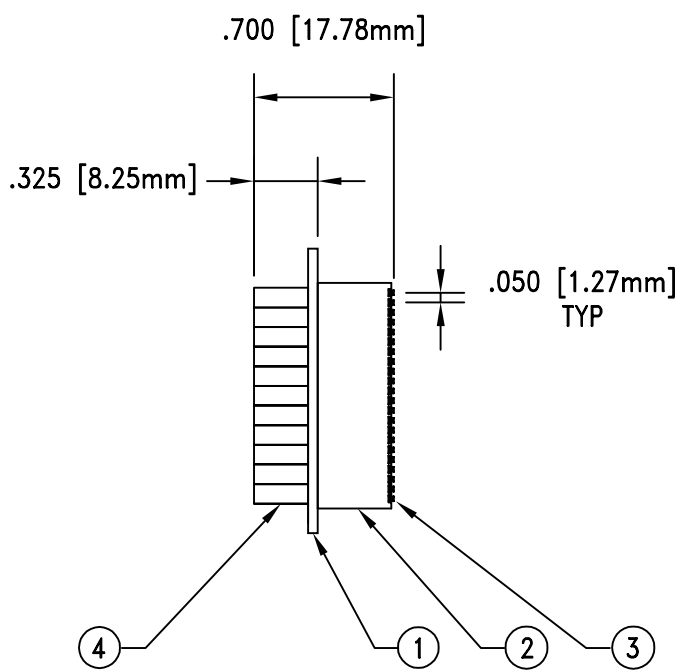
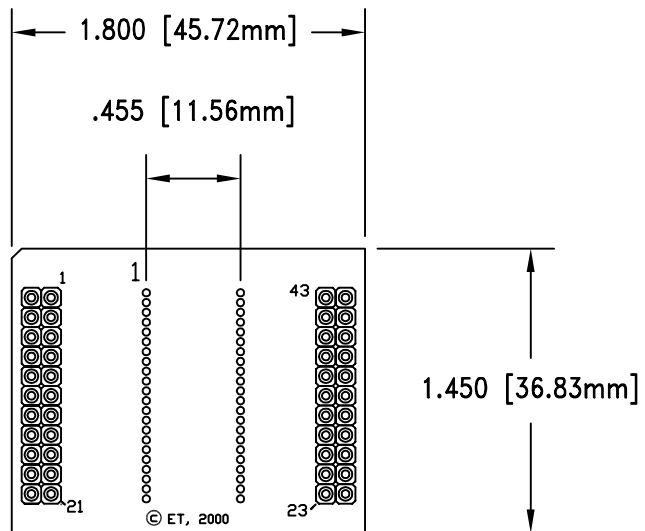


REV	DESCRIPTION	DATE	BY
A	NEW DRAWING	9/21/01	M.D.
B	ADDED DIMENSIONS	01/11/02	H.N.

F6120  
DOD 36120



ALL DIMENSIONS ARE IN INCHES UNLESS OTHERWISE SPECIFIED

**Emulation Technology, Inc.**  
— VLSI and SMT ADAPTERS and ACCESSORIES —

2344 Walsh Avenue, Bldg. F  
Santa Clara, Ca 95051  
TEL:(408)982-0660  
FAX:(408)982-0664

**ASSEMBLY DRAWING**

SHEET: 1 OF 1    DATE: 01/11/02    REVISION: B

CHECKED: Perry Munroe    DRAWN: Miguel Delgadillo    ITEM: EPP044S009SM

DESCRIPTION: EPP-044-S009-SM

**DO NOT SCALE DRAWING**

NO.	ITEM	DESCRIPTION	QTY.
1	44-S009-BOT	BASE BOARD	1
2	S009-SPACER-A	BLOCK FOR PINS	1
3	WWPOST-SM-025/2	MOUNT REAR WITH #2	44
4	T36-118F275S1R	MOUNT ON TOP OF #1	1.4