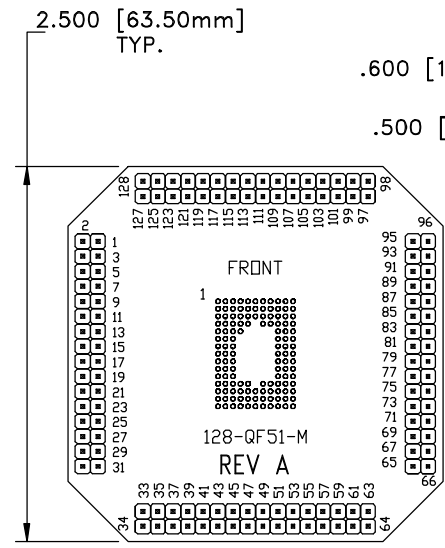


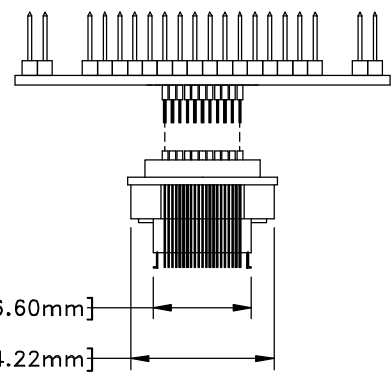
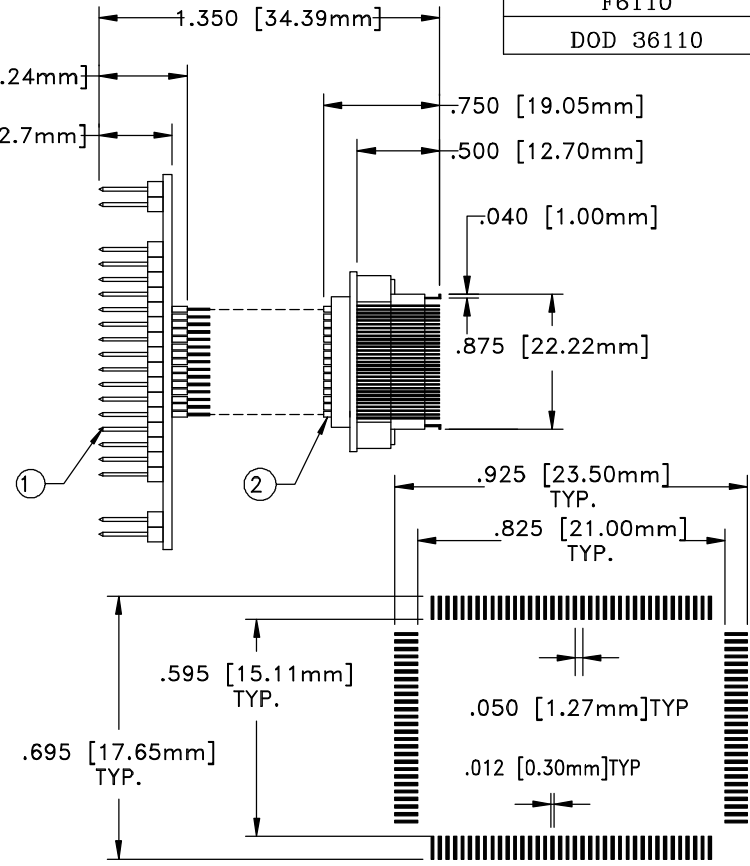
F6110

DOD 36110



PIN MAP

1	128	127	125	122	118	115	111	108	105	103
3	2	126	124	121	117	114	110	107	104	102
6	5	4	123	120	116	113	109	106	100	101
10	9	8	7	119	112	96	97	98	99	
13	12	11	NC					93	94	95
16	15	14						90	91	92
19	18	17						87	88	89
22	21	20						84	85	86
25	24	23						81	82	83
28	27	26						78	79	80
31	30	29						75	76	77
35	34	33	32	48		55	71	72	73	74
37	36	42	45	49	52	56	59	68	69	70
38	40	43	46	50	53	57	60	62	66	67
39	41	44	47	51	54	58	61	63	64	65



ALL DIMENSIONS ARE IN INCHES UNLESS OTHERWISE SPECIFIED

Emulation Technology, Inc.
 — VLSI and SMT ADAPTERS and ACCESSORIES —
 2344 Walsh Avenue, Bldg. F Santa Clara, Ca 95051
 TEL: (408) 982-0660 FAX: (408) 982-0664

SHEET: 1 OF 1	DATE: 11-02-00	REVISION:	ASSEMBLY DRAWING
CHECKED: PAULA OLSON	DRAWN: Miguel Delgadillo	ITEM: EPP128QF51W	DESCRIPTION: EPP-128-QF51-W
DO NOT SCALE DRAWING			

NO.	ITEM	DESCRIPTION	QTY.
1	MX-128-QF51-W	TOP SUB ASSEMBLY	1
2	EPP128QF51SM	BOTTOM SUB ASSEMBLY	1