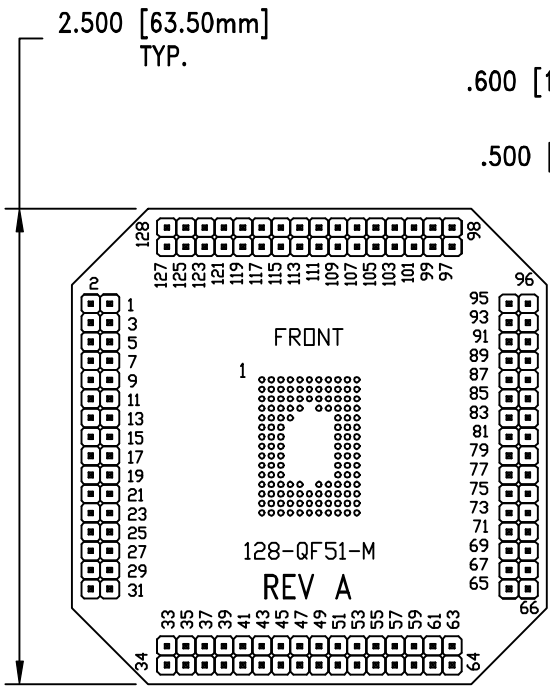
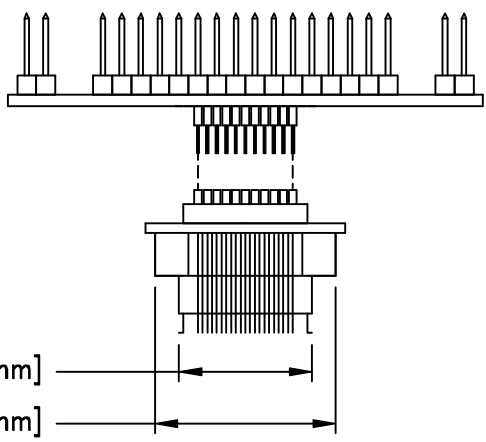
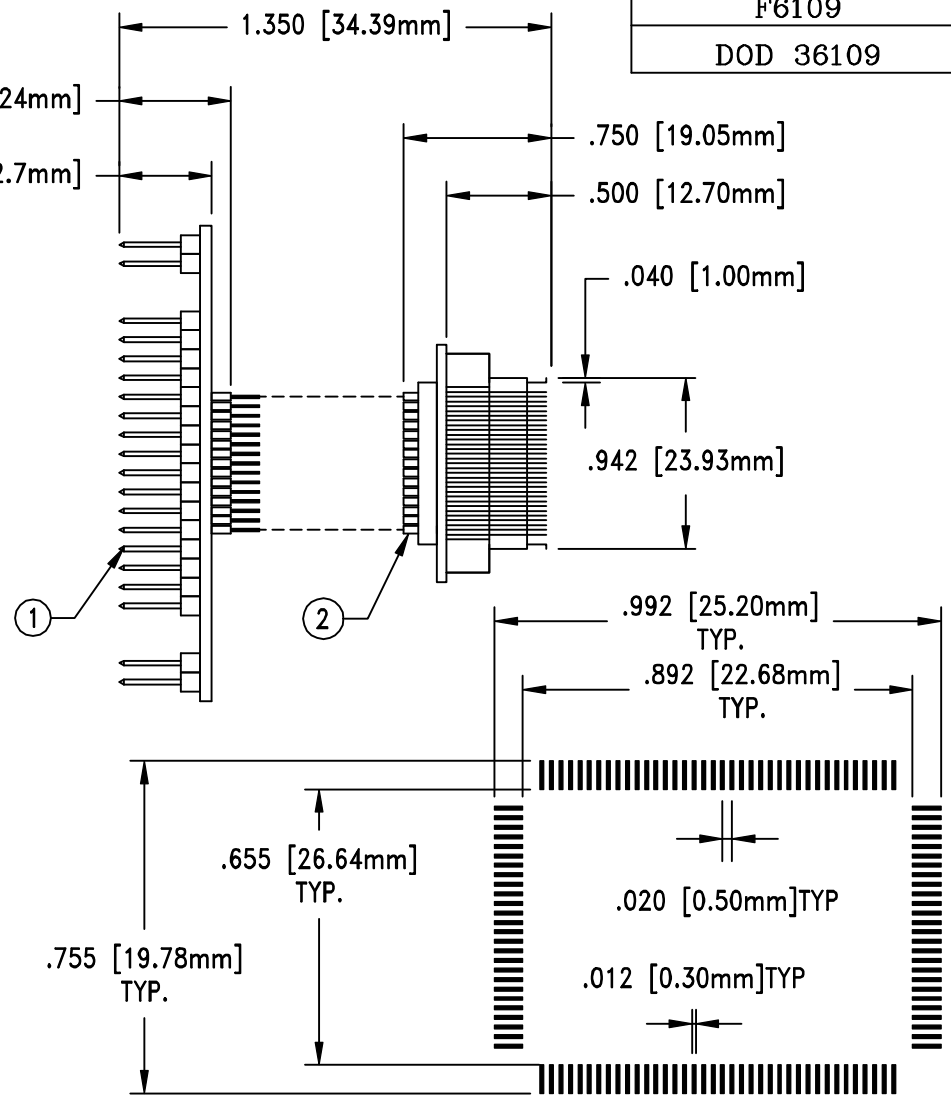


F6109  
DOD 36109



PIN MAP

1	128	127	125	122	118	115	111	108	105	103
3	2	126	124	121	117	114	110	107	104	102
6	5	4	123	120	116	113	109	106	100	101
10	9	8	7	119	112	96	97	98	99	
13	12	11	NC				93	94	95	
16	15	14					90	91	92	
19	18	17					87	88	89	
22	21	20					84	85	86	
25	24	23					81	82	83	
28	27	26					78	79	80	
31	30	29					75	76	77	
35	34	33	32	48	55	71	72	73	74	
37	36	42	45	49	52	56	59	68	69	70
38	40	43	46	50	53	57	60	62	66	67
39	41	44	47	51	54	58	61	63	64	65



ALL DIMENSIONS ARE IN INCHES UNLESS OTHERWISE SPECIFIED

**Emulation Technology, Inc.**  
— VLSI and SMT ADAPTERS and ACCESSORIES —

2344 Walsh Avenue, Bldg. F Santa Clara, Ca 95051  
TEL:(408)982-0660 FAX:(408)982-0664

SHEET: 1 OF 1 DATE: 11-02-00 REVISION:

CHECKED: PAULA OLSON DRAWN: Miguel Delgadillo

**ASSEMBLY DRAWING**

ITEM: EPP128QF51AW  
DESCRIPTION: EPP-128-QF51A-W

DO NOT SCALE DRAWING

NO.	ITEM	DESCRIPTION	QTY.
1	MX-128-QF51-W	TOP SUB ASSEMBLY	1
2	EPP128QF51ASM	BOTTOM SUB ASSEMBLY	1