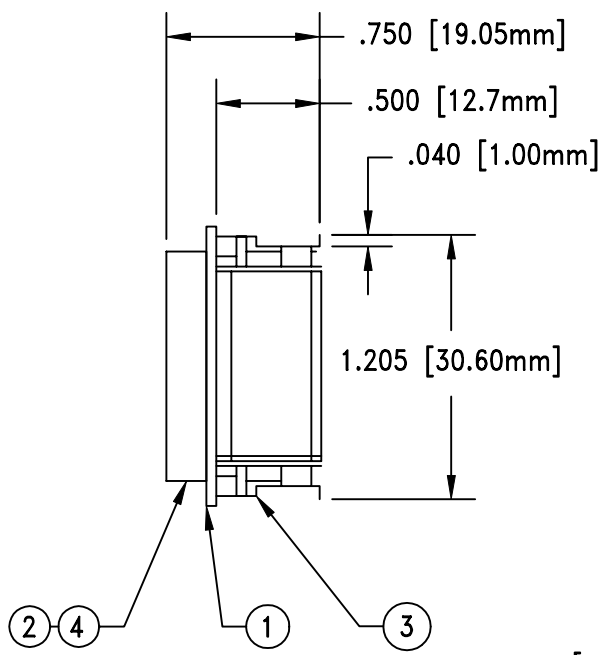
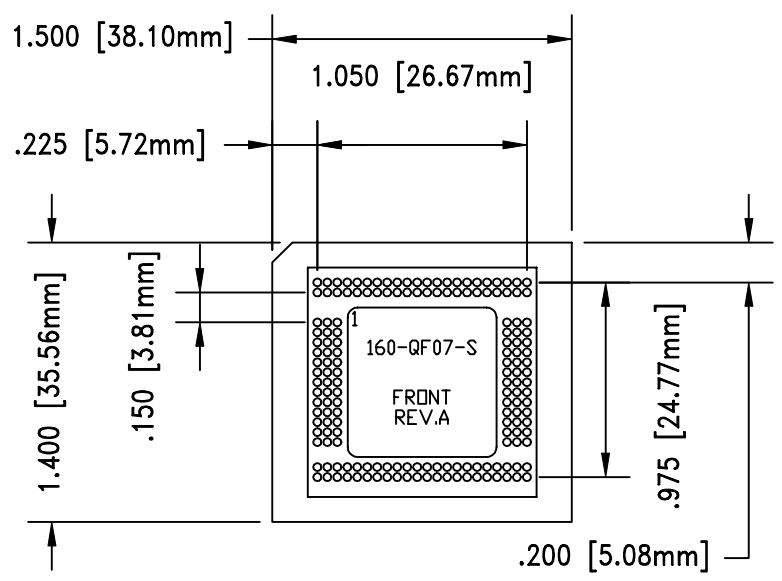
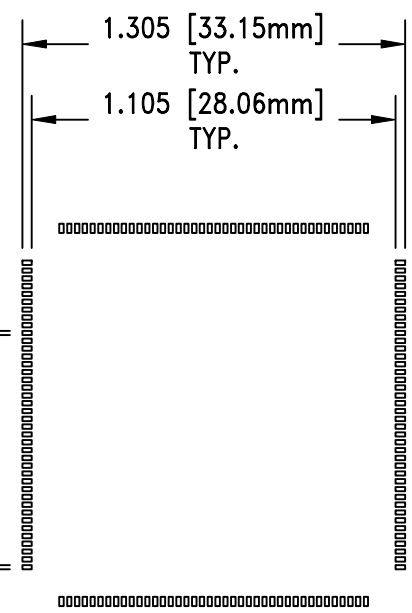


REV	DESCRIPTION	DATE	BY
A	NEW DRAWING	11/2/00	M.D.
B	UPDAED BOM: ADDED #4	7/9/01	A.F.

F5908
DOD 35908



RECOMMENDED
MINIMUM PAD LAYOUT



1 160 158 156 154 152 150 148 146 144 142 140 138 136 134 132 130 128 126 124 122 120
 2 159 157 155 153 151 149 147 145 143 141 139 137 135 133 131 129 127 125 123 121 119

5 4 3 116 117 118
 8 7 6 115 114 113
 11 10 9 110 111 112
 14 13 12 107 108 109
 17 16 15 104 105 106
 19 18 102 103
 21 20 100 101
 23 22 98 99
 26 25 24 95 96 97
 29 28 27 92 93 94
 32 31 30 89 90 91
 33 34 35 86 87 88
 38 37 36 83 84 85

39 41 43 45 47 49 51 53 55 57 59 61 63 65 67 69 71 73 75 77 79 82
 40 42 44 46 48 50 52 54 56 58 60 62 64 66 68 70 72 74 76 78 80 81

ALL DIMENSIONS ARE IN INCHES UNLESS OTHERWISE SPECIFIED

Emulation Technology, Inc.

— VLSI and SMT ADAPTERS and ACCESSORIES —

2344 Walsh Avenue, Bldg. F
Santa Clara, Ca 95051

TEL: (408) 982-0660
FAX: (408) 982-0664

SHEET: 1 OF 1	DATE: 11-02-00	REVISION: B	ASSEMBLY DRAWING
CHECKED: Perry Munroe		DRAWN: Miguel Delgadillo	
DO NOT SCALE DRAWING			ITEM: EPP160QF07CSM
			DESCRIPTION: EPP-160-QF07C-SM

NO.	ITEM	DESCRIPTION	QTY.
1	160-QF07C-S	BASE BOARD	1
2	PINS2	MOUNT TOP #1	160
3	QF07-SPACER-C	MOUNT ON REAR OF #1	1
4	SPACER-160Q7	USE WITH #2	1