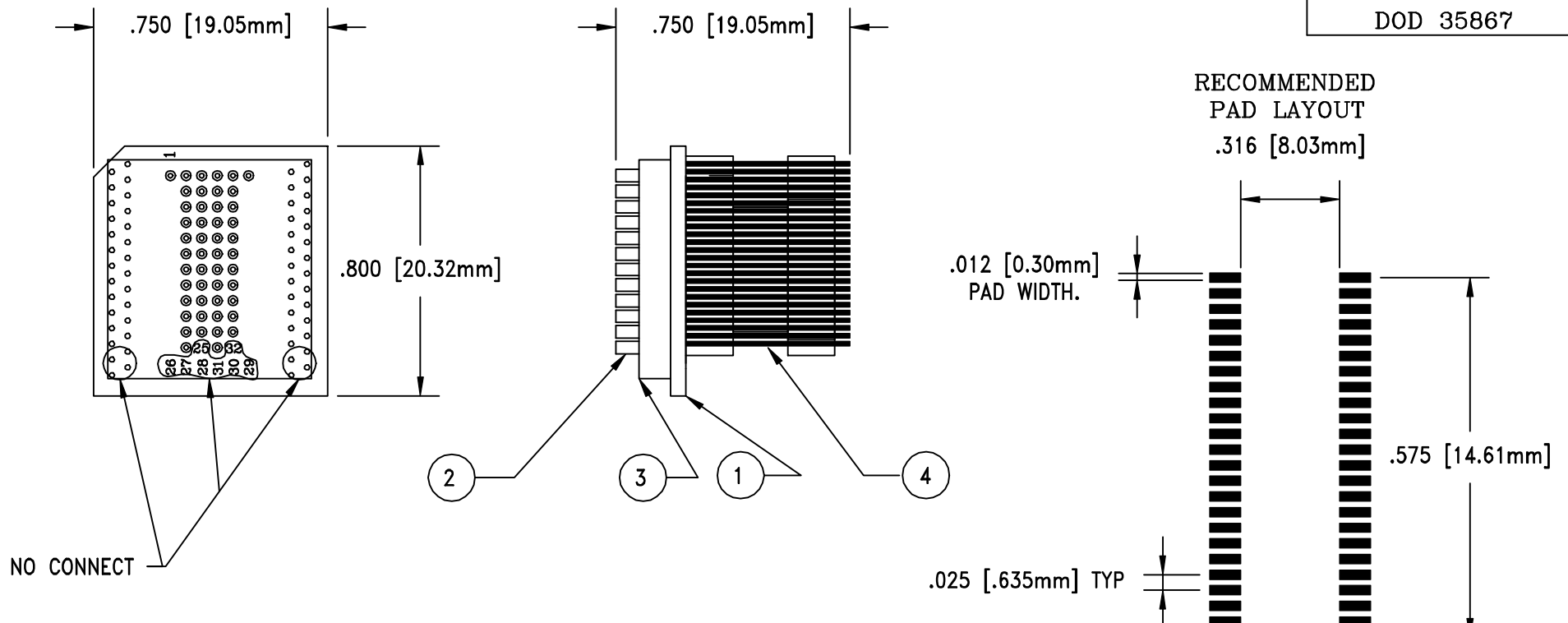
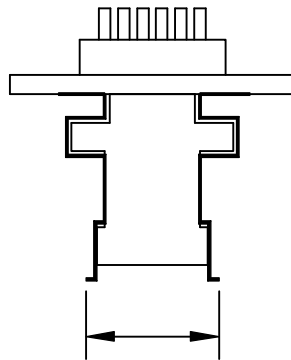


F5867

DOD 35867



NO CONNECT



.416 [10.56mm]

1	2	3	56	55	54
4	5	53	52		
6	7	51	50		
8	9	49	48		
10	11	47	46		
12	13	45	44		
14	15	43	42		
16	17	41	40		
18	19	39	38		
20	21	37	36		
22	23	35	34		
24	25	33	32		
26	27	28	31	30	29

PIN MAP

SCALE 2:1

ALL DIMENSIONS ARE IN INCHES UNLESS OTHERWISE SPECIFIED



Emulation Technology, Inc.
 — VLSI and SMT ADAPTERS and ACCESSORIES —

2344 Walsh Avenue, Bldg. F
 Santa Clara, Ca 95051

TEL:(408)982-0660
 FAX:(408)982-0664

NO.	ITEM	DESCRIPTION	QTY.
1	56-SS06-S	BASE BOARD	1
2	PINS2	MOUNT ON TOP OF #1	48
3	SS06-SPACER-48	MOUNT ON REAR OF #1	1
4	SPACER-56-SS09	MOUNT OVER PINS2	1

SHEET: 1 OF 1	DATE: 11-02-00	REVISION:	ASSEMBLY DRAWING
CHECKED: Paula Olsen	DRAWN: Miguel Delgadillo	ITEM: EPP048SS06SM	
DO NOT SCALE DRAWING			DESCRIPTION: EPP-048-SS06-SM