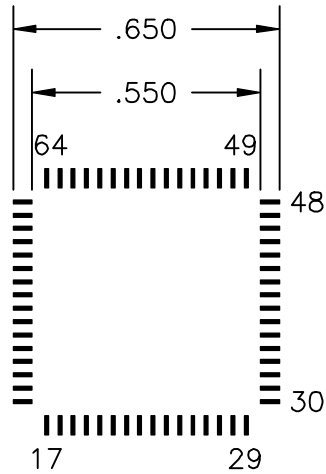
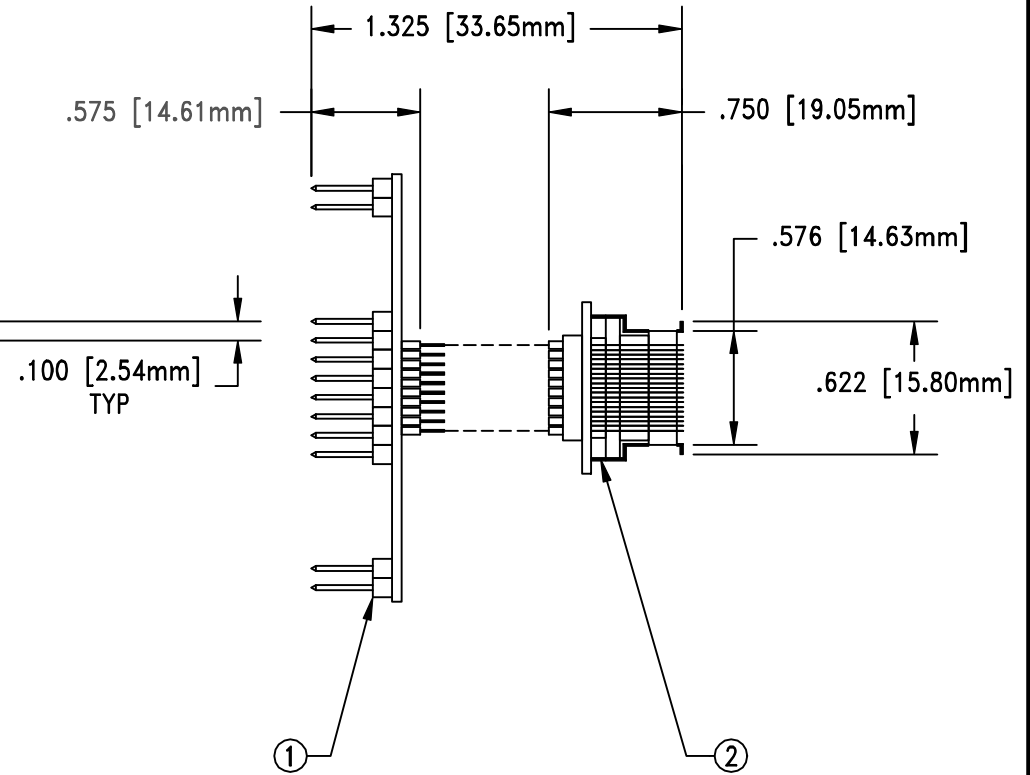
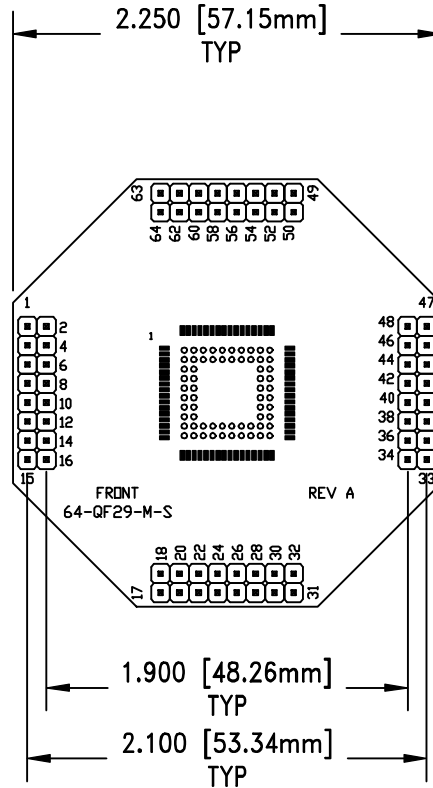


RECOMMENDED
MINIMUM PAD LAYOUT



1	64	62	60	58	56	55	53	51	49
3	2	63	61	59	57	54	52	50	48
5	4								47 46
7	6								45 44
8	9								43 42
10	11	PIN MAP							41 40
12	13								38 39
14	15								36 37
16	18	20	22	25	27	29	31	34	35
17	19	21	23	24	26	28	30	32	33



ALL DIMENSIONS ARE IN INCHES UNLESS OTHERWISE SPECIFIED



Emulation Technology, Inc.
— VLSI and SMT ADAPTERS and ACCESSORIES —

2344 Walsh Avenue, Bldg. F
Santa Clara, Ca 95051

TEL:(408)982-0660
FAX:(408)982-0664

NO.	ITEM	DESCRIPTION	QTY.
1	MX-064-QF29-W	TOP SUB ASSEMBLY	1
2	EPP064QF29DSM	BOTTOM SUB ASSEMBLY	1

SHEET: 1 OF 1	DATE: 6-29-00	REVISION:	ASSEMBLY DRAWING
CHECKED: Paula Olson	DRAWN: Miguel Delgadillo	ITEM: EPP064QF29DW	
DO NOT SCALE DRAWING		DESCRIPTION: EPP-064-QF29D-W	