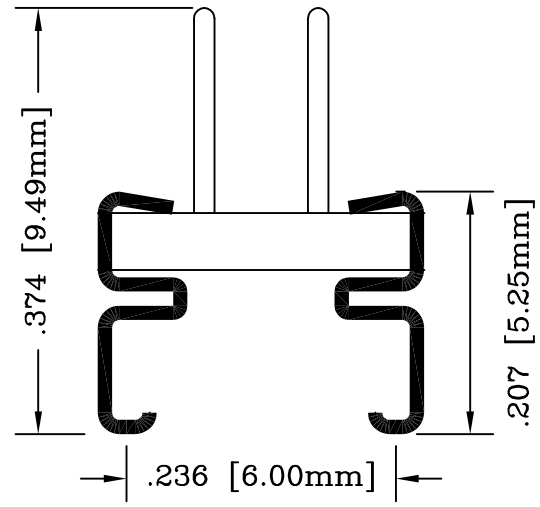
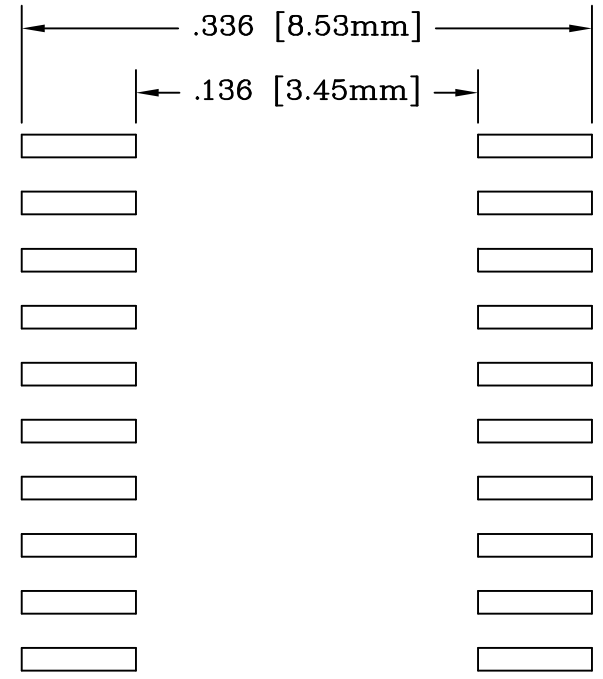
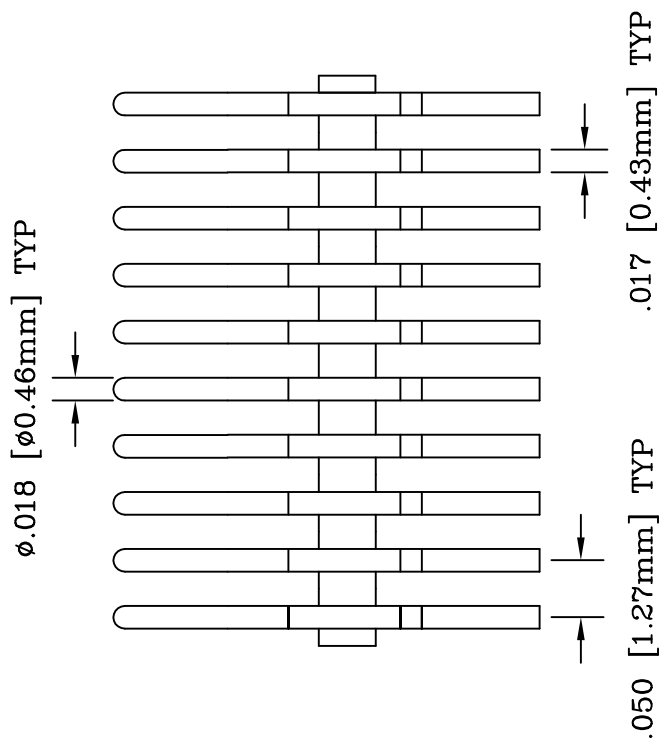
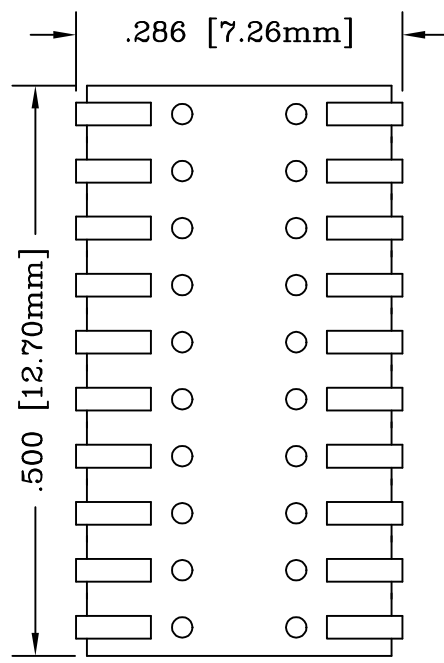


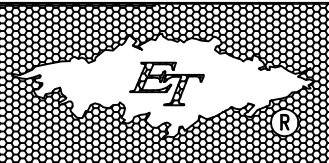
REV	DESCRIPTION	DATE	BY
A	NEW DRAWING	10/14/02	H.N.

F5813
DOD 35813



RECOMMENDED PADS LAYOUT

ALL DIMENSIONS ARE IN INCHES UNLESS OTHERWISE SPECIFIED



Emulation Technology, Inc.
— VLSI and SMT ADAPTERS and ACCESSORIES —

2344 Walsh Avenue, Bldg.F Santa Clara, Ca 95051
TEL:(408)982-0660 FAX:(408)982-0664

SHEET: 1 OF 1	DATE: 10/14/02	REVISION: A	ASSEMBLY DRAWING
CHECKED: Perry Munroe	DRAWN: Huy Nguyen	ITEM: EPP020S001M	
Scale 1:6	DO NOT SCALE DRAWING	DESCRIPTION: EPP-020-S001-SM-M	