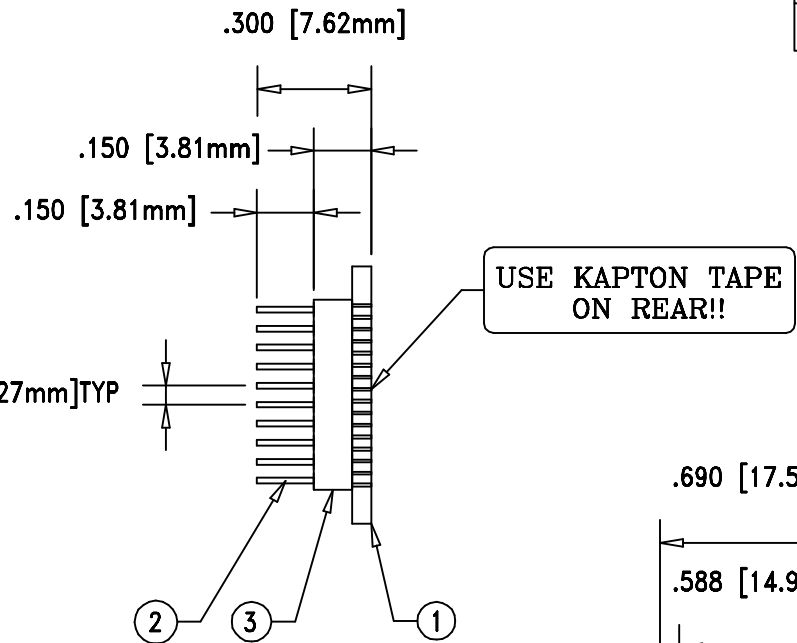
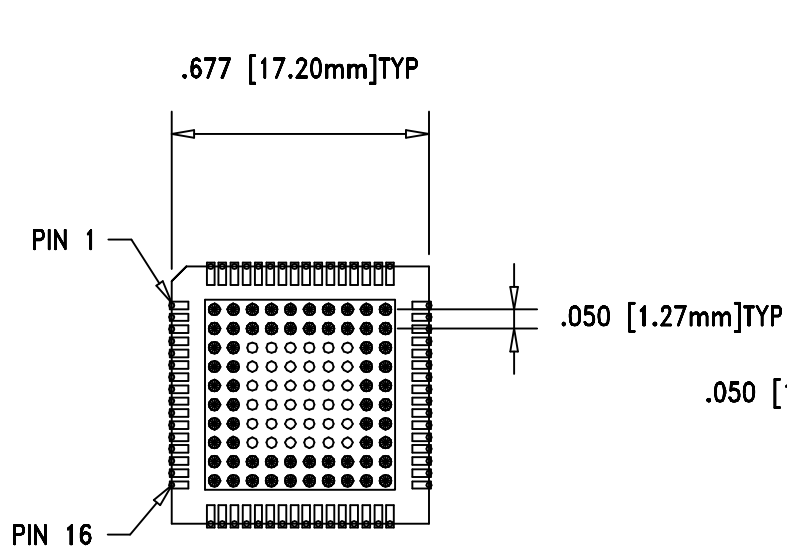


F5771

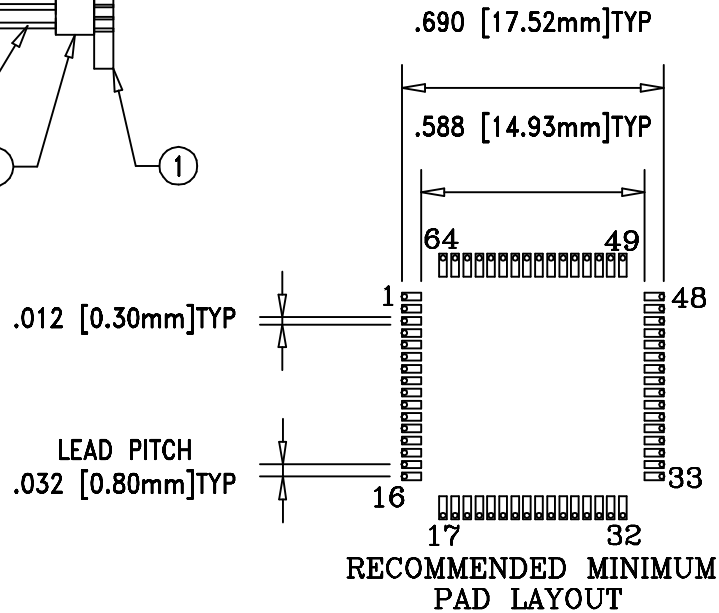
DOD 35771



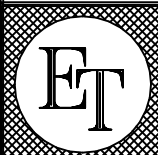
SCALE 2:1

1	64	62	60	58	56	55	53	51	49
3	2	63	61	59	57	54	52	50	48
5	4							47	46
7	6							45	44
8	9							43	42
10	11							41	40
12	13							38	39
14	15							36	37
16	18	20	22	25	27	29	31	34	35
17	19	21	23	24	26	28	30	32	33

PINMAP



ALL DIMENSIONS ARE IN INCHES UNLESS OTHERWISE SPECIFIED



Emulation Technology, Inc.
— VLSI and SMT ADAPTERS and ACCESSORIES —

2344 Walsh Avenue, Bldg. F
Santa Clara, Ca 95051

TEL: (408) 982-0660
FAX: (408) 982-0664

NO.	ITEM	DESCRIPTION	QTY.
1	64-Q29B-LP	BASE BOARD	1
2	TO1-150M150S1RG	MOUNT FLUSH TO #1	64
3	10X10-PIN-HLDR	MOUNT FRONT #1 W/#2	1

SHEET: 1 OF 1	DATE: 11/1/00	REVISION:	ASSEMBLY DRAWING
CHECKED: PAULA OLSON	DRAWN: AARON FINE	ITEM: EPP064Q29BMSMLP	
DO NOT SCALE DRAWING		DESCRIPTION: EPP-064-QF29B-SMLP-M	