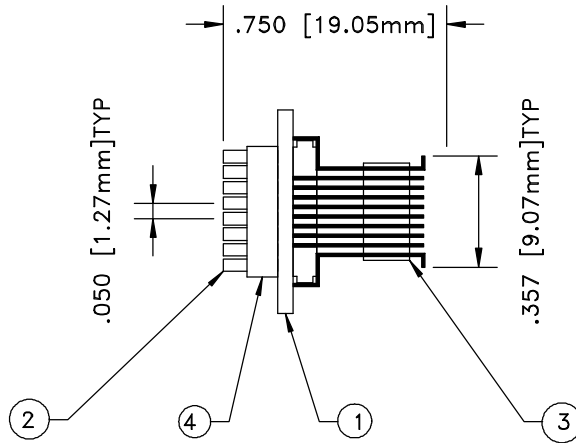
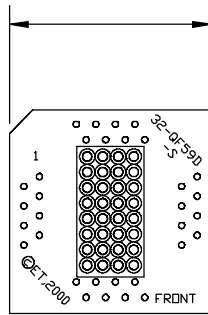


F5768

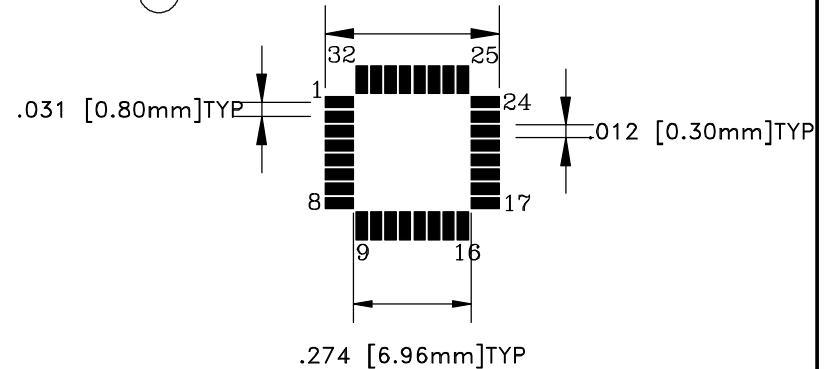
DOD35768

.650 [16.51mm]TYP



RECOMMENDED MINIMUM
PAD LAYOUT

.374 [9.50mm]TYP



PIN MAP

31	29	27	25
32	30	28	26
1	2	24	23
3	4	22	21
5	6	20	19
7	8	18	17
10	12	14	16
9	11	13	15

SCALE 2:1

ALL DIMENSIONS ARE IN INCHES UNLESS OTHERWISE SPECIFIED



Emulation Technology, Inc.
— VLSI and SMT ADAPTERS and ACCESSORIES —

2344 Walsh Avenue, Bldg. F
Santa Clara, Ca 95051

TEL:(408)982-0660
FAX:(408)982-0664

NO.	ITEM	DESCRIPTION	QTY.
1	32-QF59D-S	BASE BOARD	1
2	PINS2	MOUNT ON TOP OF #1	32
3	QF59-SPACER-D	MOUNT REAR OF #1	1
4	8X8-PIN-HOLDER	MOUNT WITH #2	1

SHEET: 1 OF 1	DATE: 11/1/00	REVISION:	ASSEMBLY DRAWING
CHECKED: PAULA OLSON	DRAWN: AARON FINE	ITEM: EPP032QF59DSM	
DO NOT SCALE DRAWING			DESCRIPTION: EPP-032-QF59D-SM