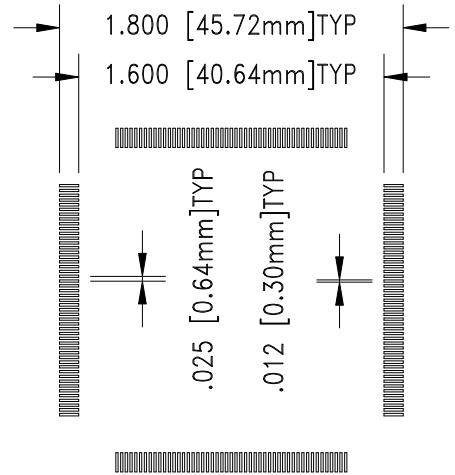
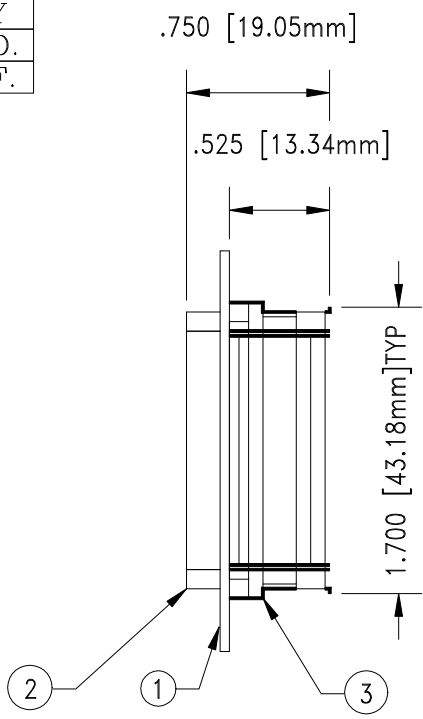
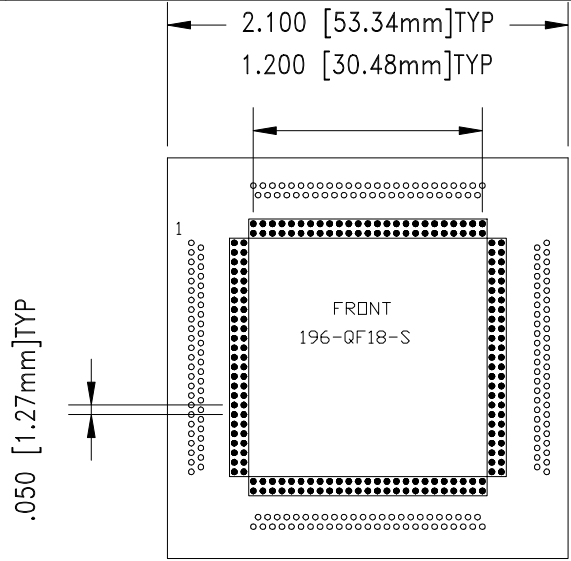


REV	DESCRIPTION	DATE	BY
A	NEW DRAWING	11/02/00	M.D.
B	UPDATED PAD LAYOUT	6/1/01	A.F.

F5753
DOD 35753



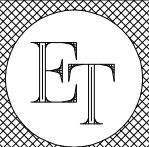
RECOMMENDED
MINIMUM PAD LAYOUT

196	194	195	193	192	191	190	189	188	187	186	185	184	183	182	181	180	179	178	177	176	175	174	173	172	171	170	169	168	167	166	165	164	163	162	161	160	159	158	157	156	155	154	153	152	151	150	149	148
3	2	5	4	7	6	9	8	11	10	13	12	15	14	17	16	19	18	21	20	23	22	25	24	27	26	29	28	31	30	33	32	35	34	37	36	39	38	41	40	43	42	45	44	47	46	49	48	
146	147	144	145	142	143	140	141	138	139	136	137	134	135	132	133	130	131	128	129	126	127	124	125	122	123	120	121	118	119	116	117	114	115	112	113	110	111	108	109	106	107	104	105	102	103	100	101	99
51	50	52	53	54	55	56	57	58	59	60	61	62	63	64	65	66	67	68	69	70	71	72	73	74	75	76	77	78	79	80	81	82	83	84	85	86	87	88	89	90	91	92	93	94	95	96	97	

PINMAP

NO.	ITEM	DESCRIPTION	QTY.
1	196-QF18-S	BASE BOARD	1
2	T50-FEM-50X50	MOUNT ON TOP OF #1	4
3	QF18-SPACER-A	MOUNT ON REAR OF #1	1

ALL DIMENSIONS ARE IN INCHES UNLESS OTHERWISE SPECIFIED



Emulation Technology, Inc.
— VLSI and SMT ADAPTERS and ACCESSORIES —

2344 Walsh Avenue, Bldg. F
Santa Clara, Ca 95051

TEL: (408) 982-0660
FAX: (408) 982-0664

SHEET: 1 OF 1 DATE: 11-02-00 REVISION: B

CHECKED: Perry Munroe DRAWN: Miguel Delgadillo

ITEM: EPP196QF18SM

DESCRIPTION: EPP-196-QF18-SM

ASSEMBLY DRAWING

DO NOT SCALE DRAWING