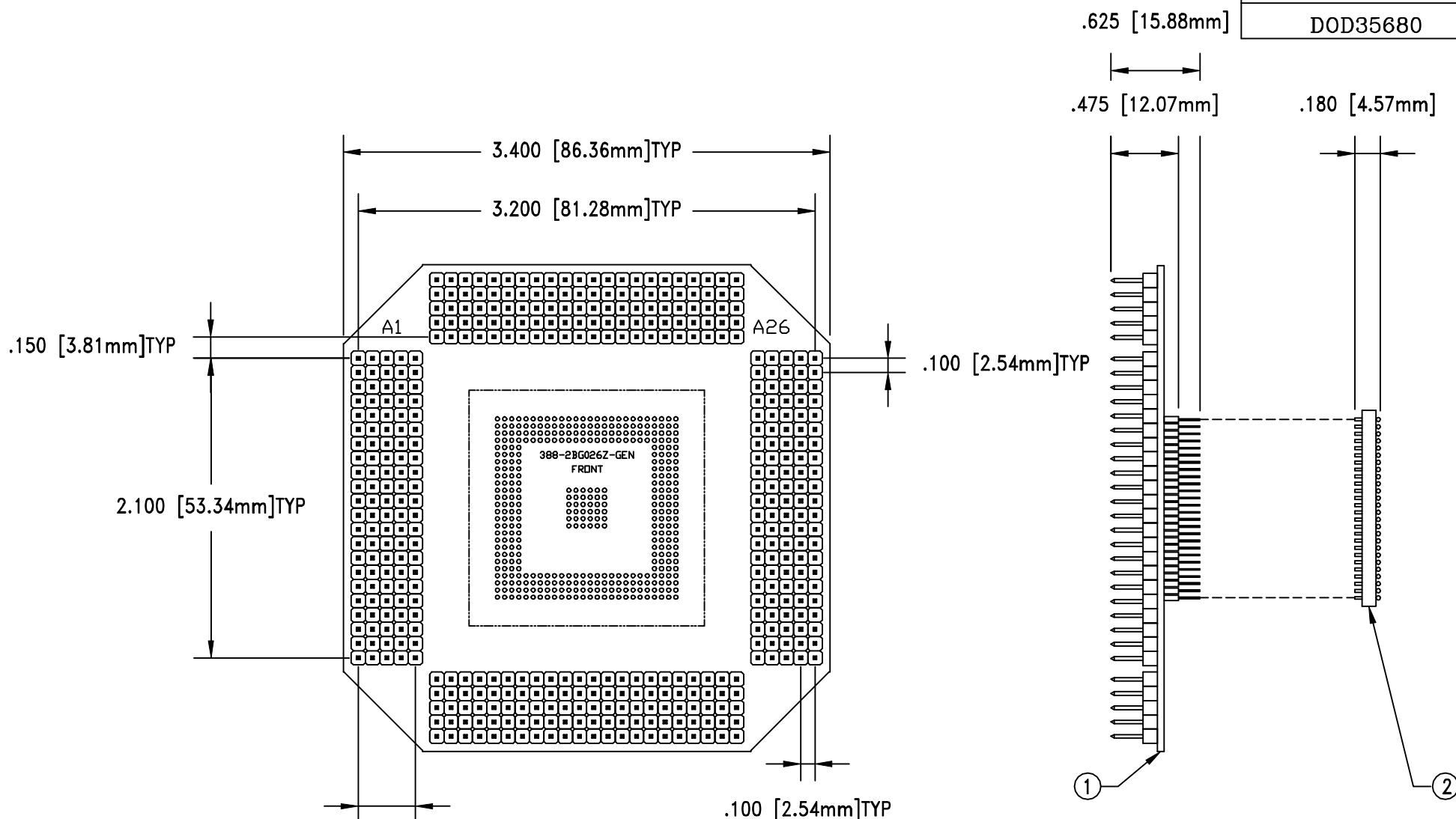


F5680

DOD35680



ALL DIMENSIONS ARE IN INCHES UNLESS OTHERWISE SPECIFIED



Emulation Technology, Inc.

— VLSI and SMT ADAPTERS and ACCESSORIES —

2344 Walsh Avenue, Bldg. F
Santa Clara, Ca 95051

TEL:(408)982-0660
FAX:(408)982-0664

SHEET:
1 OF 1

DATE:
10/11/00

REVISION:

ASSEMBLY DRAWING

CHECKED:
PAULA OLSON

DRAWN:
Aaron Fine

ITEM:
EPP3522BG026W

DO NOT SCALE DRAWING

DESCRIPTION:
EPP-0352-2BG026-W

NO.	ITEM	DESCRIPTION	QTY.
1	MX-352-2B26-W	TOP SUB ASSEMBLY	1
2	BPE-352-2-026-B	BOTTOM SUB ASSEMBLY	1