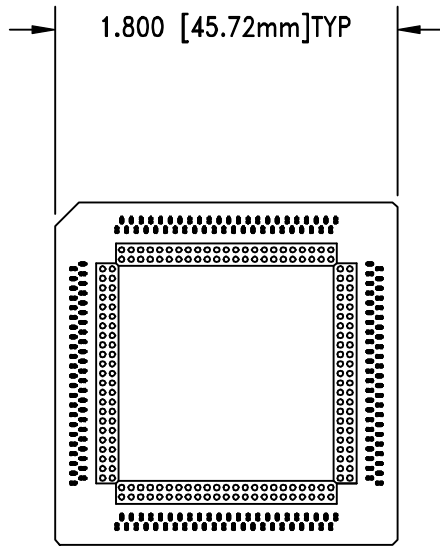
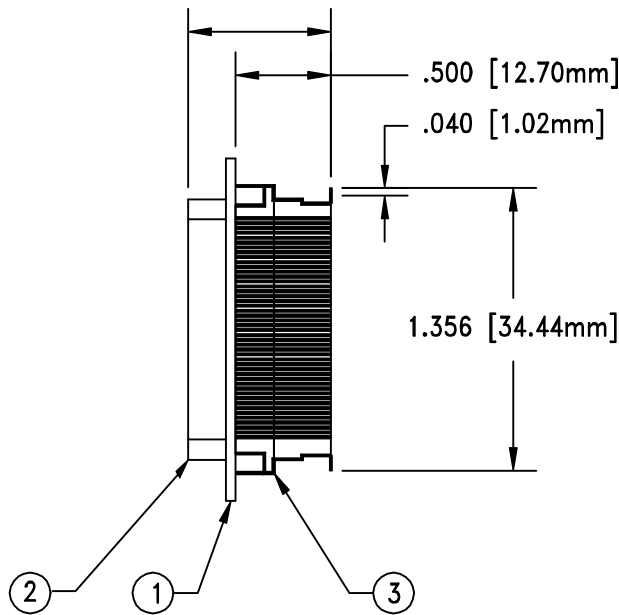


F5658

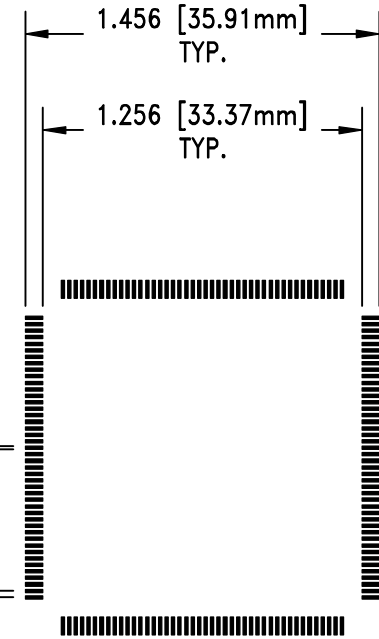
DOD35658



.750 [19.05mm]



RECOMMENDED
MINIMUM PAD LAYOUT



.012 [0.30mm]
PAD WIDTH.

.0256 [0.65mm]
TYP. PITCH.

183 184
181 182
179 180
177 178
175 176
173 174
171 172
169 170
167 168
165 166
163 164
161 162
159 160
157 158
155 156
153 154
151 152
149 150
147 148
145 146
143 144
141 142
139 140

2	1	137	138
4	3	135	136
6	5	133	134
8	7	131	132
10	9	129	130
12	11	127	128
14	13	125	126
16	15	123	124
18	17	121	122
20	19	119	120
22	21	117	118
24	23	115	116
26	25	113	114
28	27	111	112
30	29	109	110
32	31	107	108
34	33	105	106
36	35	103	104
38	37	101	102
40	39	99	100
42	41	97	98
44	43	95	96
46	45	93	94

PINMAP

47 48
50 49
52 51
54 53
56 55
58 57
60 59
62 61
64 63
66 65
68 67
70 69
72 71
74 73
76 75
78 77
80 79
82 81
84 83
86 85
88 87
90 89
92 91

ALL DIMENSIONS ARE IN INCHES UNLESS OTHERWISE SPECIFIED



Emulation Technology, Inc.
— VLSI and SMT ADAPTERS and ACCESSORIES —

2344 Walsh Avenue, Bldg. F
Santa Clara, Ca 95051

TEL:(408)982-0660
FAX:(408)982-0664

NO.	ITEM	DESCRIPTION	QTY.
1	184-QF31-S	BASE BOARD	1
2	T50-FEM-50X50	MOUNT ON TOP OF #1	4
3	QF31-SPACER-A	MOUNT ON REAR OF #1	1

SHEET: 1 OF 1	DATE: 11-02-00	REVISION:	ASSEMBLY DRAWING
CHECKED: PAULA OLSON	DRAWN: Miguel Delgadillo	ITEM: EPP184QF31SM	
DO NOT SCALE DRAWING		DESCRIPTION: EPP-184-QF31-SM	