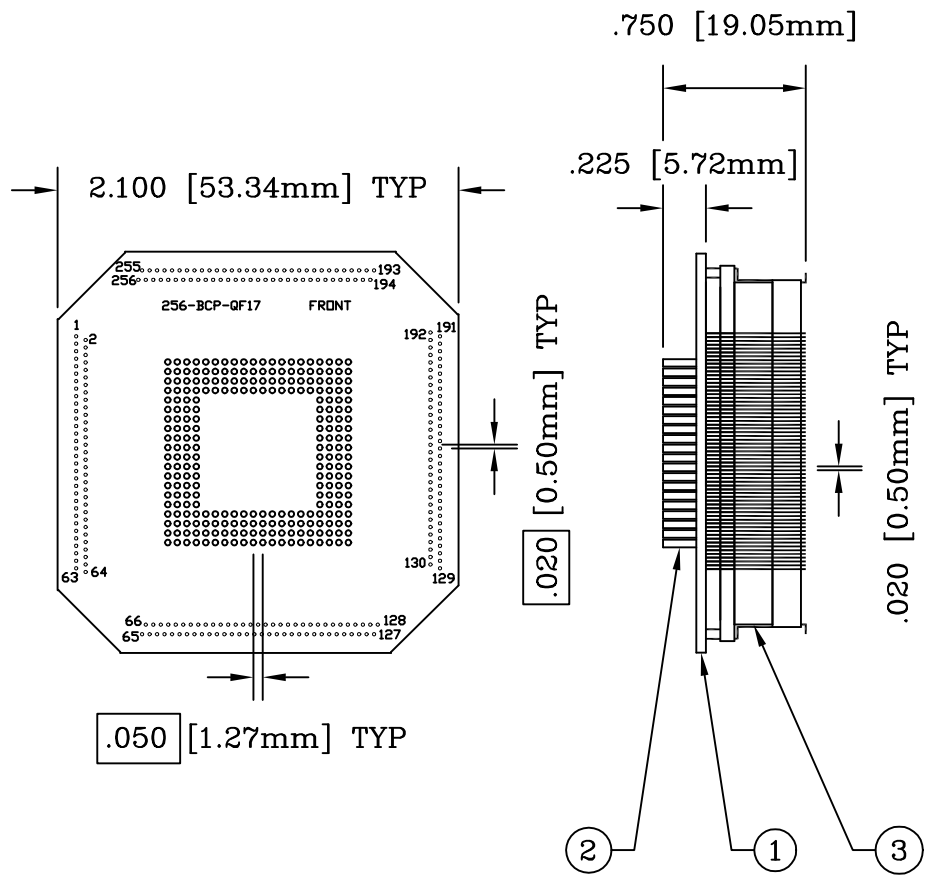


REV	DESCRIPTION	DATE	BY
A	NEW DRAWING	7/30/99	J.G.
B	UPDATED DWG & ADDED PINOUT	04/11/02	H.N.

F5567
DOD 35567

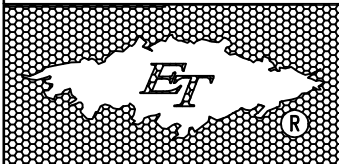
1	256	255	253	250	246	242	238	234	230	226	222	218	214	210	206	202	198	195	193	
3	2	254	252	249	245	241	237	233	229	225	221	217	213	209	205	201	197	194	192	
6	5	4	251	248	244	240	236	232	228	224	220	216	212	208	204	200	196	190	191	
10	9	8	7	247	243	239	235	231	227	223	219	215	211	207	203	199	187	188	189	
14	13	12	11														183	184	185	186
18	17	16	15														179	180	181	182
22	21	20	19														175	176	177	178
26	25	24	23														171	172	173	174
30	29	28	27														167	168	169	170
34	33	32	31														163	164	165	166
38	37	36	35														159	160	161	162
42	41	40	39														155	156	157	158
46	45	44	43														151	152	153	154
50	49	48	47														147	148	149	150
54	53	52	51														143	144	145	146
58	57	56	55														139	140	141	142
61	60	59	71	75	79	83	87	91	95	99	103	107	111	115	119	135	136	137	138	
63	62	68	72	76	80	84	88	92	96	100	104	108	112	116	120	123	132	133	134	
64	66	69	73	77	81	85	89	93	97	101	105	109	113	117	121	124	126	130	131	
65	67	70	74	78	82	86	90	94	98	102	106	110	114	118	122	125	127	128	129	

PIN MAP



PACKAGE SPECIFICATIONS	
PIN COUNT	= 256
LEAD PITCH	= 0.50mm
PACKAGE WIDTH	= 31.50mm SQ
ET PACKAGE CODE	= 256-QF17

ALL DIMENSIONS ARE IN INCHES UNLESS OTHERWISE SPECIFIED



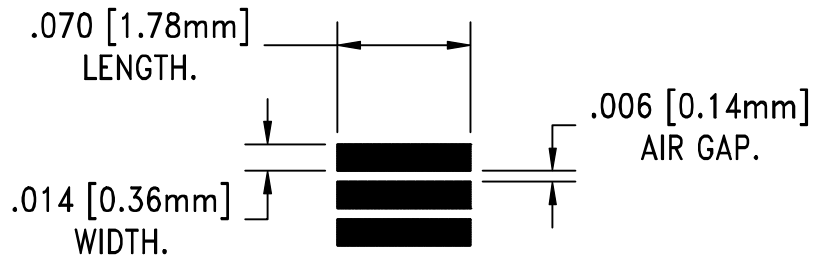
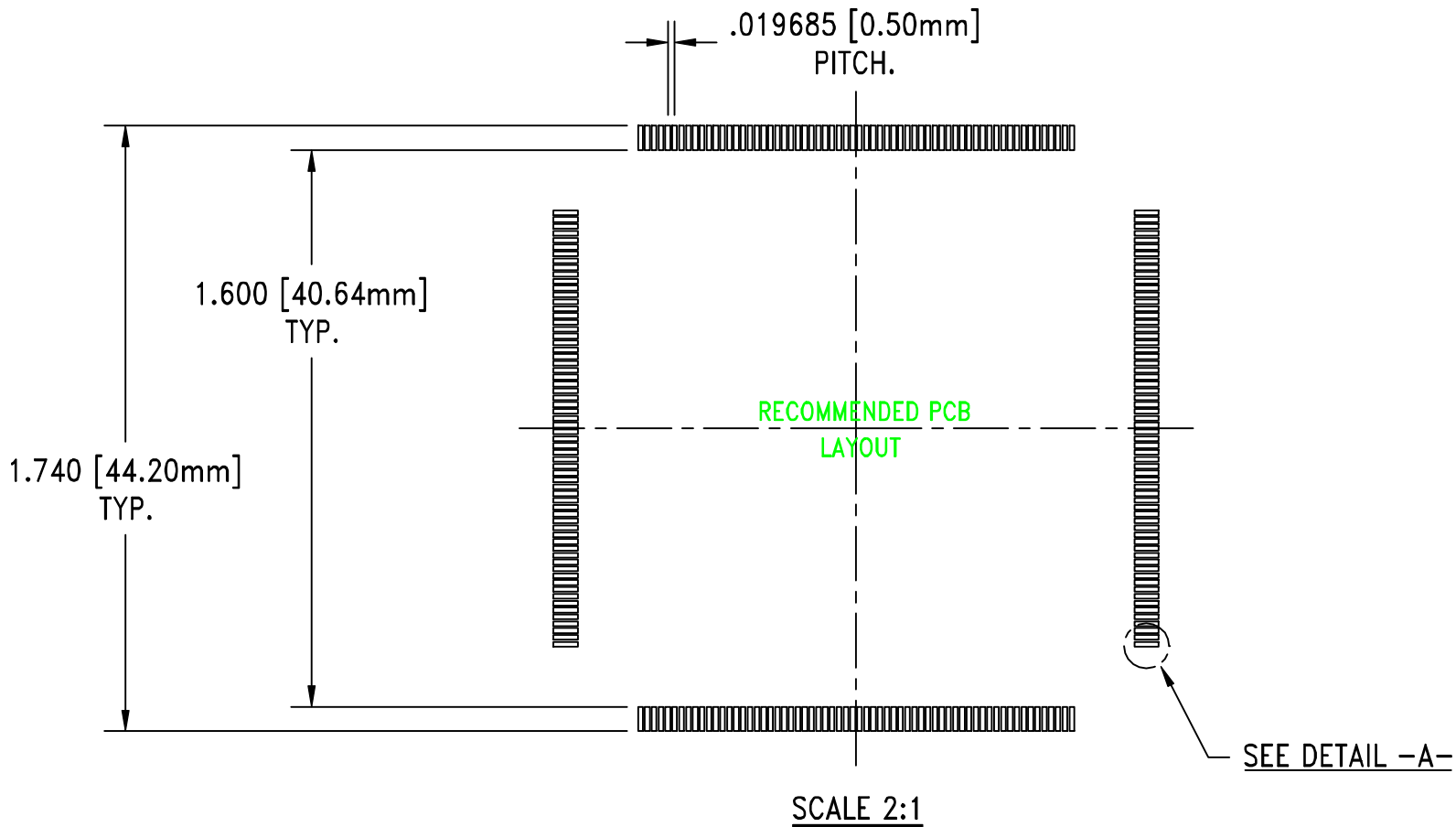
Emulation Technology, Inc.
— VLSI and SMT ADAPTERS and ACCESSORIES —
2344 Walsh Avenue, Bldg.F Santa Clara, Ca 95051
TEL:(408)982-0660 FAX:(408)982-0664

NO.	ITEM	DESCRIPTION	QTY.
1	256-BCP-QF17	BASE BOARD	1
2	PINS2	MOUNT ON TOP OF #1	256
3	QF17-SPACER-A	SOLDER ON REAR OF #1	1

SHEET: 1 OF 1	DATE: 04/11/02	REVISION: B	ASSEMBLY DRAWING
CHECKED: Perry Munroe	DRAWN: Huy Nguyen	ITEM: EPP256QF17SM	
Scale 1:1	DO NOT SCALE DRAWING	DESCRIPTION: EPP-256-QF17-SM	

REV	DESCRIPTION	DATE	INIT
A	RECOMMENDED PCB FOOTPRINT	05/13/03	M.D.

F5567
DOD 35567



DETAIL -A-
SCALE 10:1

ALL DIMENSIONS ARE IN INCHES UNLESS OTHERWISE SPECIFIED



Emulation Technology, Inc.

-VLSI and SMT ADAPTERS and ACCESSORIES-

www.emulation.com

TEL: (408) 982-0660

2344 Walsh Ave, Bldg. F Santa Clara, CA 95051

FAX: (408) 982-0664

SHEET: 2 OF 2	DATE: 05/13/03	REVISION:
CHECKED: PERRY MONROE	DRAWN: MIGUEL DELGADILLO	ITEM: EPP256QF17SM

ASSEMBLY DRAWING

DO NOT SCALE DRAWING

DESCRIPTION:
EPP-256-QF17-SM