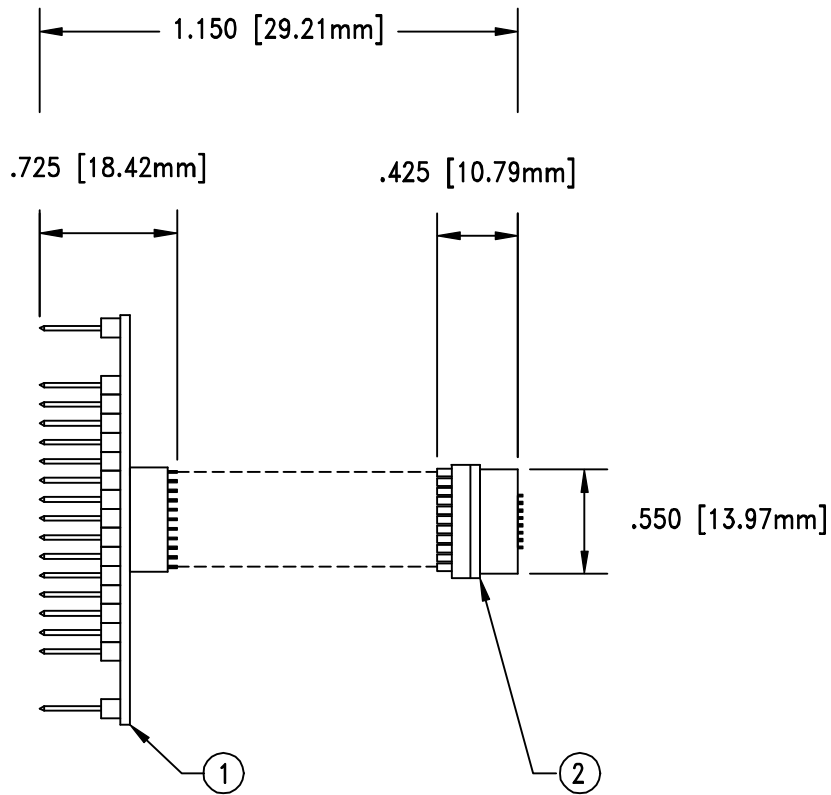
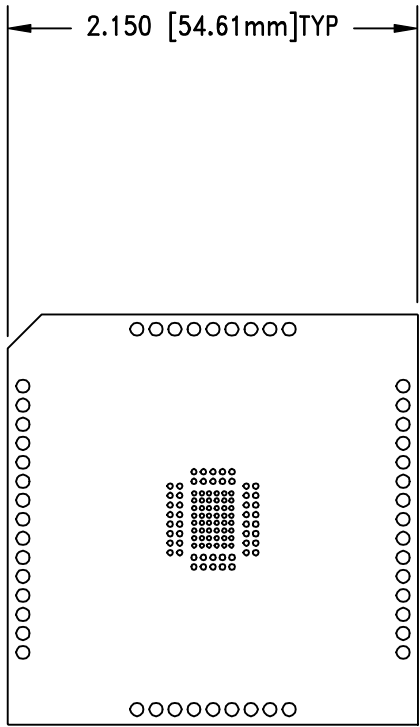


F5559  
DOD 35559



A1 A2 A3 A4 A5 A6  
B1 B2 B3 B4 B5 B6  
C1 C2 C3 C4 C5 C6  
D1 D2 D3 D4 D5 D6  
E1 E2 E3 E4 E5 E6  
F1 F2 F3 F4 F5 F6  
G1 G2 G3 G4 G5 G6  
H1 H2 H3 H4 H5 H6

PINMAP  
(INSIDE PAT)

ALL DIMENSIONS ARE IN INCHES UNLESS OTHERWISE SPECIFIED



**Emulation Technology, Inc.**  
— VLSI and SMT ADAPTERS and ACCESSORIES —

2344 Walsh Avenue, Bldg. F  
Santa Clara, Ca 95051

TEL: (408) 982-0660  
FAX: (408) 982-0664

SHEET: 1 OF 1	DATE: 11-02-00	REVISION:	<b>ASSEMBLY DRAWING</b>
CHECKED: Paula Olson	DRAWN: Miguel Delgadillo	ITEM: EPP-048-3-6X8-W	
DO NOT SCALE DRAWING			DESCRIPTION: EPP-0048-3BG6X8-W

NO.	ITEM	DESCRIPTION	QTY.
1	MX-048-3BG6X8-W	TOP SUB ASSEMBLY	1
2	BPE-048-3-6X8	BOTTOM SUB ASSEMBLY	1