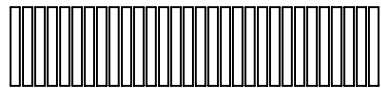
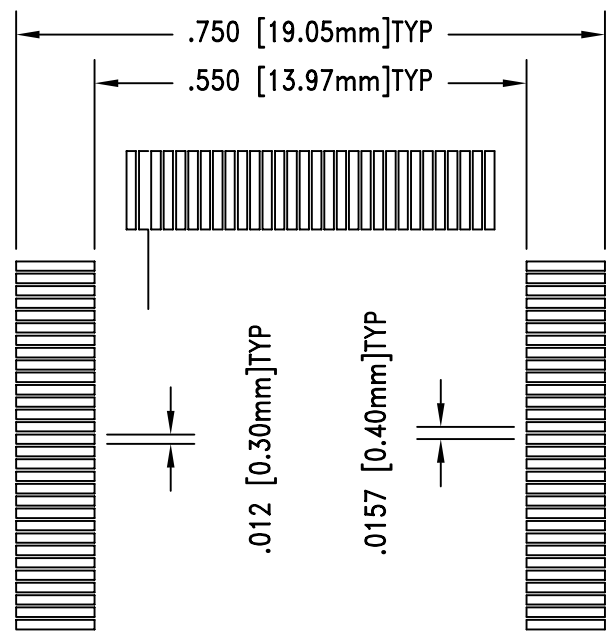
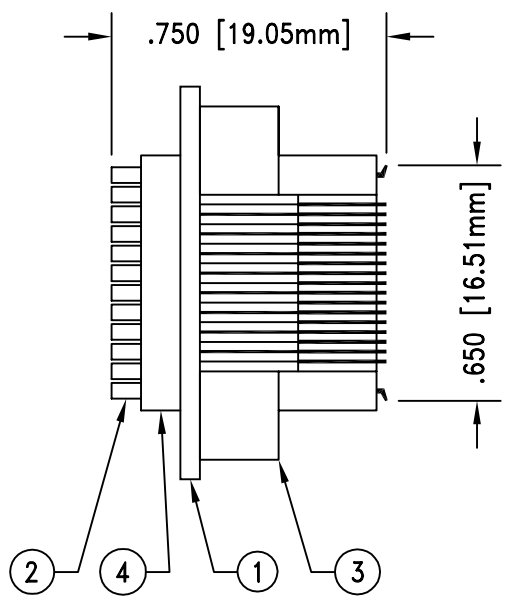
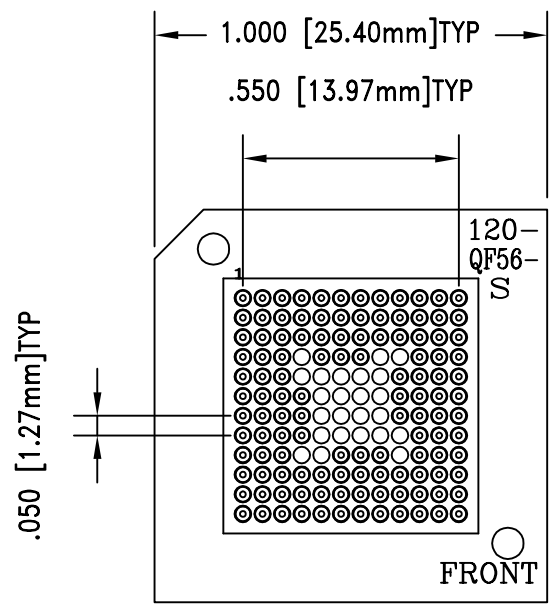


REV	DESCRIPTION	DATE	BY
A	NEW DRAWING	2/24/98	G.G.
B	ADDED SPACER	5/2/01	A.F.
C	ADDED PACKAGE SPECIFICATION	02/08/02	H.N.

SCALE 2:1

F5482
DOD 35482




RECOMMENDED MINIMUM PAD LAYOUT

1	120	119	117	114	110	106	102	99	96	93	91	
3	2	118	116	113	109	105	101	98	95	92	90	
6	5	4	115	112	108	104	100	97	94	88	89	
9	8	7	111	107	103				85	86	87	
12	11	10							81	82	83	84
16	15	14	13						77	78	79	80
20	19	18	17						73	74	75	76
24	23	22	21						70	71	72	
27	26	25		43	47	51			67	68	69	
29	28	34	37	40	44	48	52	55	64	65	66	
30	32	35	38	41	45	49	53	56	58	62	63	
31	33	36	39	42	46	50	54	57	59	60	61	

PACKAGE SPECIFICATIONS	
PIN COUNT	= 120
LEAD PITCH	= 0.40mm
PACKAGE SIZE	= 14.00mm
TIP TO TIP	= 17.90mm
PACKAGE CODE	= 120-QF56

ALL DIMENSIONS ARE IN INCHES UNLESS OTHERWISE SPECIFIED



Emulation Technology, Inc.
 — VLSI and SMT ADAPTERS and ACCESSORIES —
 2344 Walsh Avenue, Bldg. F
 Santa Clara, Ca 95051
 TEL:(408)982-0660
 FAX:(408)982-0664

SHEET: 1 OF 1	DATE: 02/08/02	REVISION: C	ASSEMBLY DRAWING
CHECKED: Perry Munroe	DRAWN: Huy Nguyen	ITEM: EPP120QF56SM	
DO NOT SCALE DRAWING			DESCRIPTION: EPP-120-QF56-SM

NO.	ITEM	DESCRIPTION	QTY.
1	120-QF56-S	BASE BOARD	1
2	PINS2	MOUNT ON FRONT OF #1	120
3	QF56-SPACER-C	MOUNT ON REAR OF #1	1
4	SPACER-2BG012	PLUG ON TOP OF #2	1