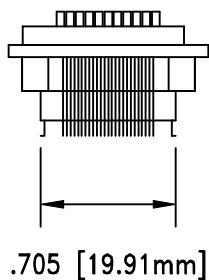
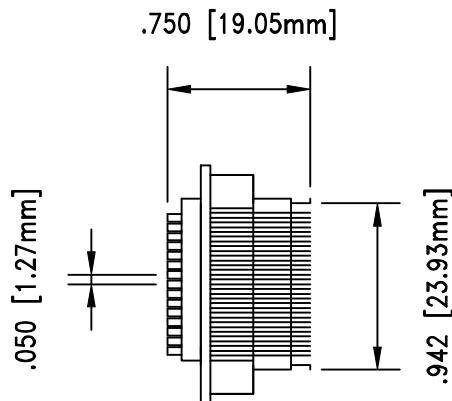
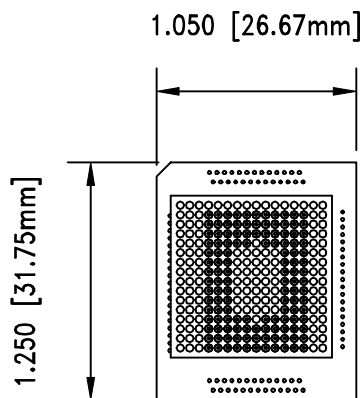


F5411

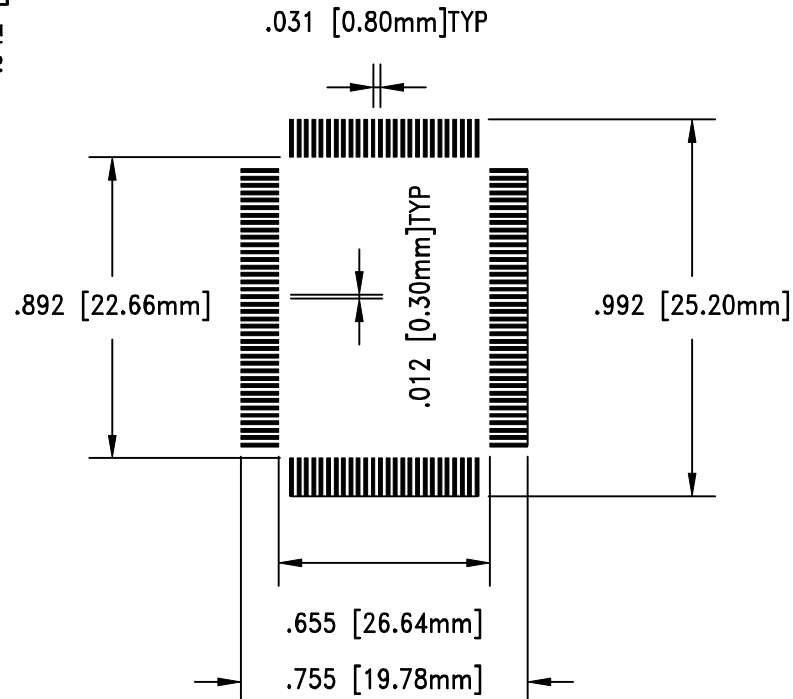
DOD 35411



PIN MAP

1	128	127	125	122	118	115	111	108	105	103
3	2	126	124	121	117	114	110	107	104	102
6	5	4	123	120	116	113	109	106	100	101
10	9	8	7	119		112	96	97	98	99
13	12	11	NC					93	94	95
16	15	14						90	91	92
19	18	17						87	88	89
22	21	20						84	85	86
25	24	23						81	82	83
28	27	26						78	79	80
31	30	29						75	76	77
35	34	33	32	48		55	71	72	73	74
37	36	42	45	49	52	56	59	68	69	70
38	40	43	46	50	53	57	60	62	66	67
39	41	44	47	51	54	58	61	63	64	65

RECOMMENDED  
MINIMUM PAD LAYOUT



ALL DIMENSIONS ARE IN INCHES UNLESS OTHERWISE SPECIFIED



**Emulation Technology, Inc.**  
— VLSI and SMT ADAPTERS and ACCESSORIES —

2344 Walsh Avenue, Bldg. F  
Santa Clara, Ca 95051

TEL:(408)982-0660  
FAX:(408)982-0664

NO.	ITEM	DESCRIPTION	QTY.
1	128-QF51A-S	BASE BOARD	1
2	PINS2	MOUNT ON TOP OF #1	128
3	QF51-SPACER-A	MOUNT ON REAR OF #1	1
4	SPACER-2BG016	PLUG TOP #1 W/ #2	1

SHEET: 1 OF 1	DATE: 11/7/00	REVISION:	<b>ASSEMBLY DRAWING</b>
CHECKED: Paula Olson	DRAWN: Aaron Fine	ITEM: EPP128QF51ASM	
DO NOT SCALE DRAWING			DESCRIPTION: EPP-128-QF51A-SM