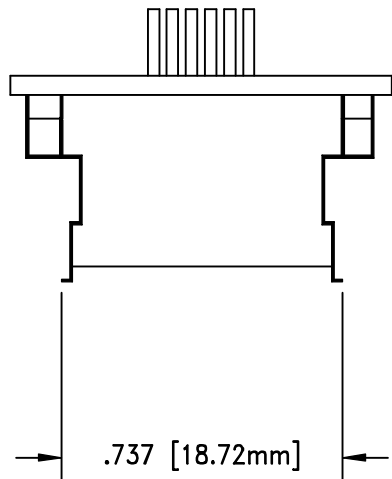
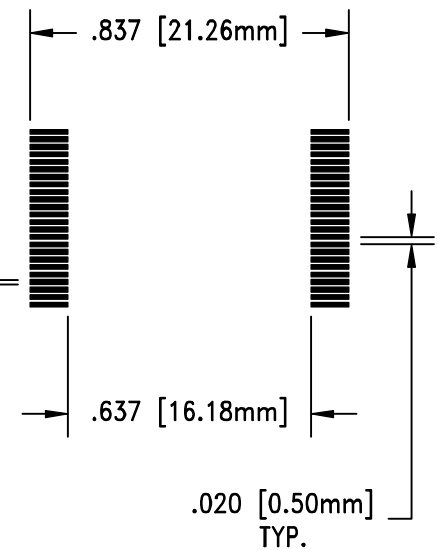


MINIMUM PAD
LAYOUT



1	2	47	48
3	4	45	46
5	6	43	44
7	8	41	42
9	10	39	40
11	12	37	38
13	14	35	36
15	16	33	34
17	18	31	32
19	20	29	30
21	22	27	28
23	24	25	26

PIN MAP

.012 [.30mm]
PAD WIDTH.

SCALE 2:1

ALL DIMENSIONS ARE IN INCHES UNLESS OTHERWISE SPECIFIED



Emulation Technology, Inc.
— VLSI and SMT ADAPTERS and ACCESSORIES —

2344 Walsh Avenue, Bldg. F
Santa Clara, Ca 95051

TEL:(408)982-0660
FAX:(408)982-0664

NO.	ITEM	DESCRIPTION	QTY.
1	48-TS01-S	BASE BOARD	1
2	PINS2	MOUNT ON TOP OF #1	48
3	TS01-SPACER-48	MOUNT ON REAR OF #1	1

SHEET: 1 OF 1	DATE: 11-02-00	REVISION:	ASSEMBLY DRAWING
CHECKED: Paula Olson	DRAWN: Miguel Delgadillo	ITEM: EPP048TS01SM	
DO NOT SCALE DRAWING			DESCRIPTION: EPP-048-TS01-SM