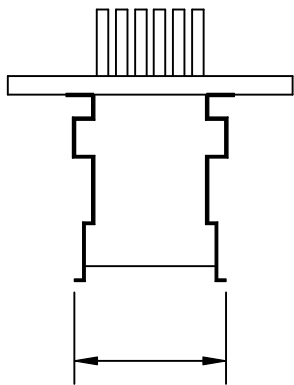
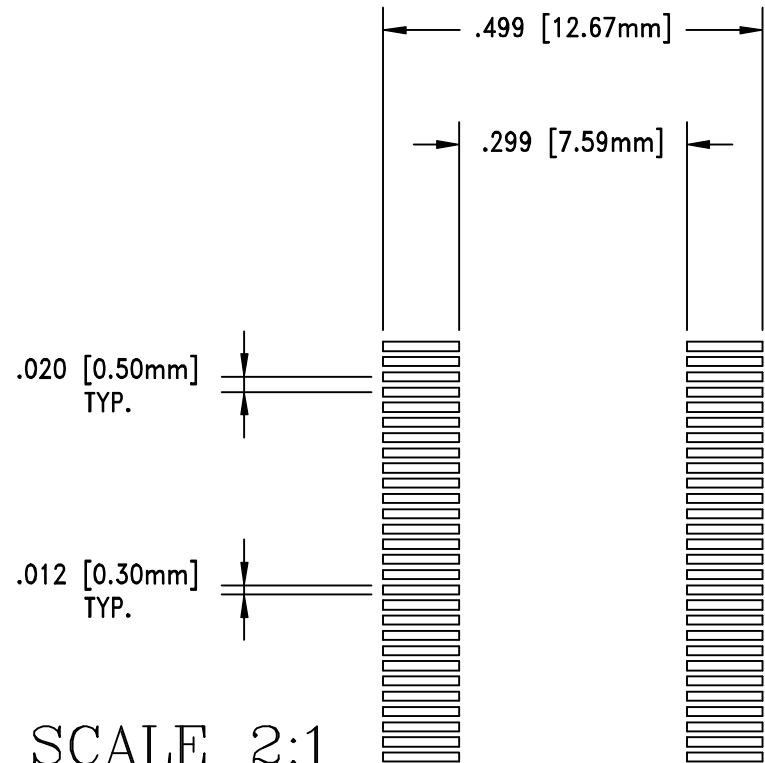


RECOMMENDED MINIMUM
PAD LAYOUT



1	2	3	56	55	54
	4	5	53	52	
	6	7	51	50	
	8	9	49	48	
	10	11	47	46	
	12	13	45	44	
	14	15	43	42	
	16	17	41	40	
	18	19	39	38	
	20	21	37	36	
	22	23	35	34	
	24	25	33	32	
	26	27	28	31	29

PIN MAP

SCALE 2:1

ALL DIMENSIONS ARE IN INCHES UNLESS OTHERWISE SPECIFIED



Emulation Technology, Inc.
World Leader in Adapters, Test Accessories, and Clips

2344 Walsh Avenue, Bldg. F
Santa Clara, Ca 95051

TEL:(408)982-0660
FAX:(408)982-0664

NO.	ITEM	DESCRIPTION	QTY.
1	56-ST15-S	BASE BOARD	1
2	PINS2	MOUNT ON TOP OF #1	56
3	ST15-SPACER-A	MOUNT ON REAR OF #1	1

SHEET: 1 OF 1	DATE: 11-02-00	REVISION:	ASSEMBLY DRAWING
CHECKED: Paula Olson	DRAWN: Miguel Delgadillo	ITEM: EPP056ST15SM	DESCRIPTION: EPP-056-ST15-SM
DO NOT SCALE DRAWING			