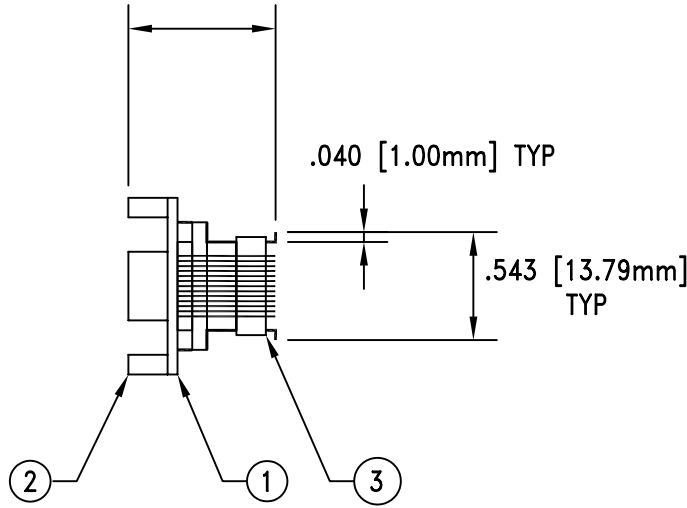
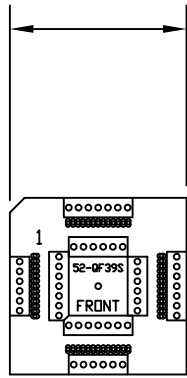
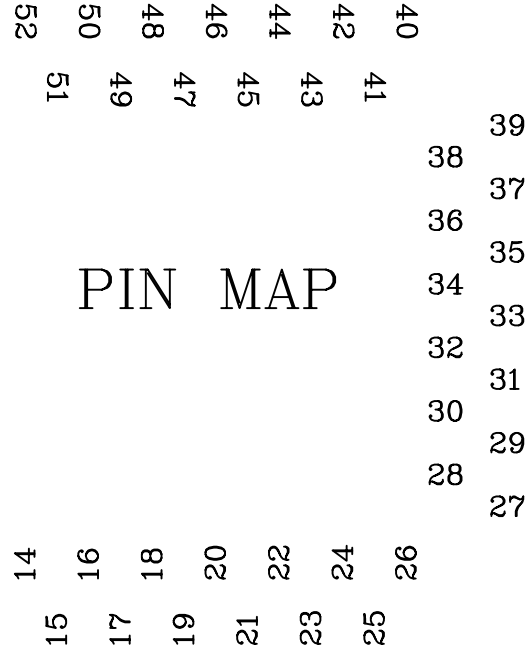
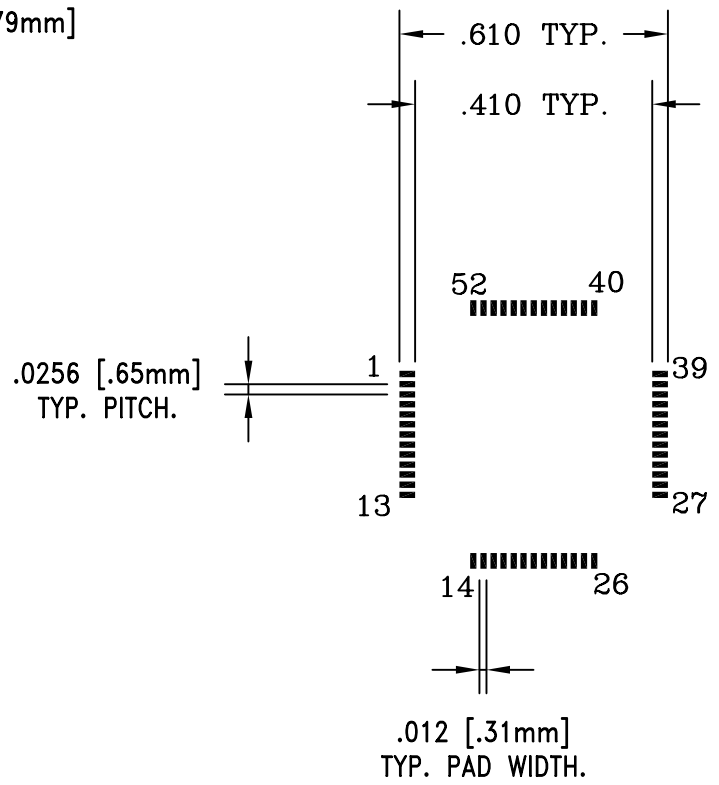


.900 [22.86mm] TYP

.750 [19.05mm]



RECOMMENDED  
MINIMUM PAD LAYOUT



PIN MAP

ALL DIMENSIONS ARE IN INCHES UNLESS OTHERWISE SPECIFIED

**Emulation Technology, Inc.**  
— VLSI and SMT ADAPTERS and ACCESSORIES —

2344 Walsh Avenue, Bldg. F  
Santa Clara, Ca 95051

TEL:(408)982-0660  
FAX:(408)982-0664

**ASSEMBLY DRAWING**

SHEET: 1 OF 1    DATE: 10-12-00    REVISION:

CHECKED: Paula Olson    DRAWN: M. Delgadillo    ITEM: EPP052QF39DSM

DO NOT SCALE DRAWING    DESCRIPTION: EPP-052-QF39D-SM

| NO. | ITEM          | DESCRIPTION          | QTY. |
|-----|---------------|----------------------|------|
| 1   | 52-QF39S      | BASE BOARD           | 1    |
| 2   | T07-FEM-50MIL | MOUNT ON FRONT OF #1 | 8    |
| 3   | QF39-SPACER-A | SOLDER TO REAR OF #1 | 1    |