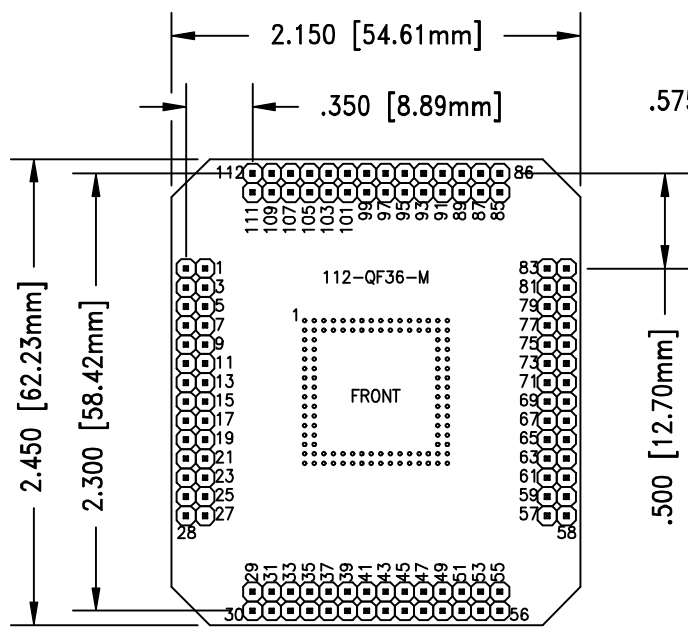


F4474

DOD 34474

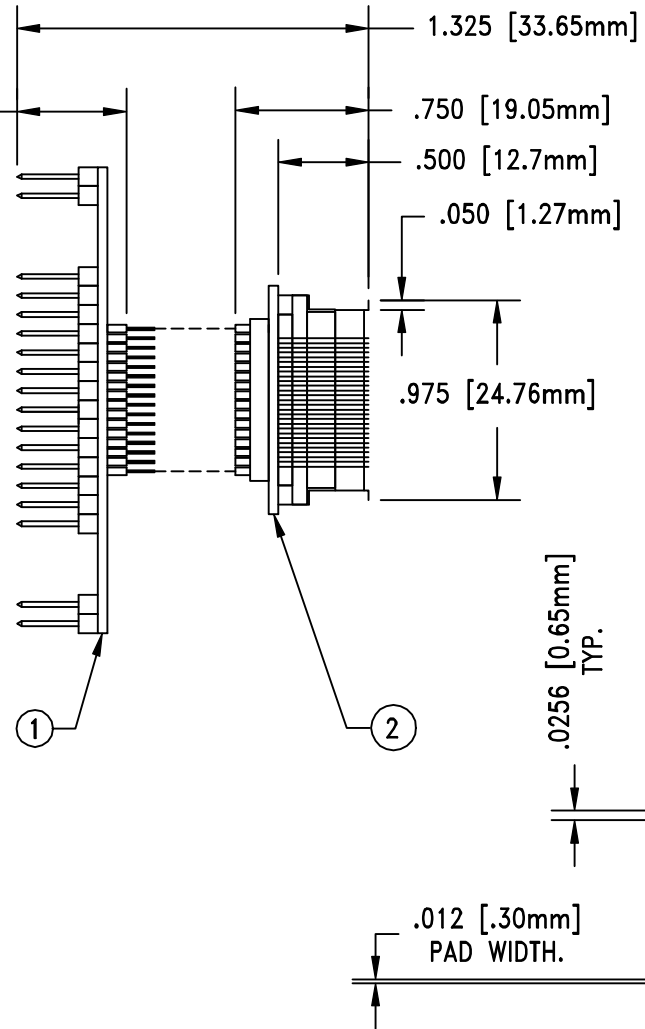


.575 [14.61mm]

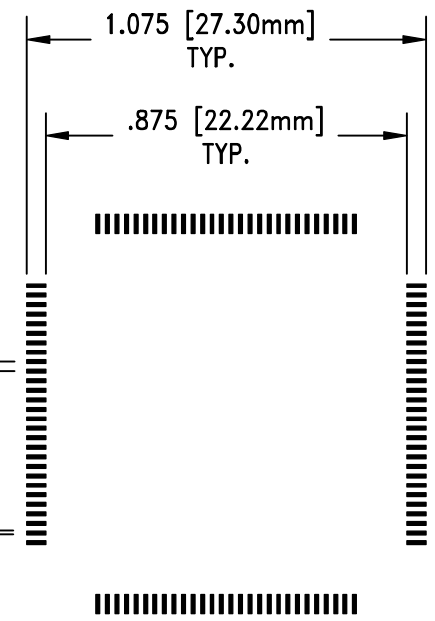
.500 [12.70mm]

PINMAP

1	112 110 108 106 104 102 100 98 96 94 92 90 88 86 85
2	3 111 109 107 105 103 101 99 97 95 93 91 89 87 84
4	5
6	7
8	9
10	11
12	13
14	15
16	17
18	19
20	21
22	23
24	25
26	27
28	31 33 35 37 39 41 43 45 47 49 51 53 55 59 58
29	30 32 34 36 38 40 42 44 46 48 50 52 54 56 57



RECOMMENDED MINIMUM PAD LAYOUT



ALL DIMENSIONS ARE IN INCHES UNLESS OTHERWISE SPECIFIED



Emulation Technology, Inc.
— VLSI and SMT ADAPTERS and ACCESSORIES —

2344 Walsh Avenue, Bldg. F
Santa Clara, Ca 95051

TEL:(408)982-0660
FAX:(408)982-0664

NO.	ITEM	DESCRIPTION	QTY.
1	MX-112-QF36-W	TOP SUB ASSEMBLY	1
2	EPP112QF36SM	BOTTOM SUB ASSEMBLY	1

SHEET: 1 OF 1	DATE: 11-02-00	REVISION:	ASSEMBLY DRAWING
CHECKED: Paula Olson	DRAWN: M. Delgadillo	ITEM: EPP112QF36W	
DO NOT SCALE DRAWING			DESCRIPTION: EPP-112-QF36-W