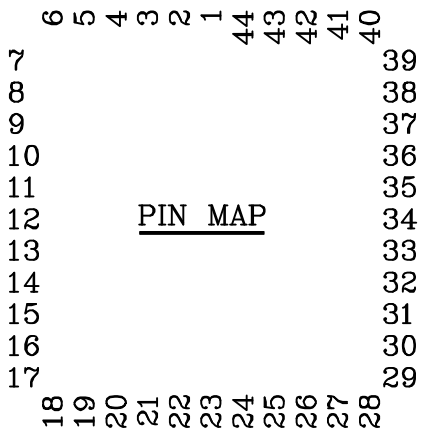
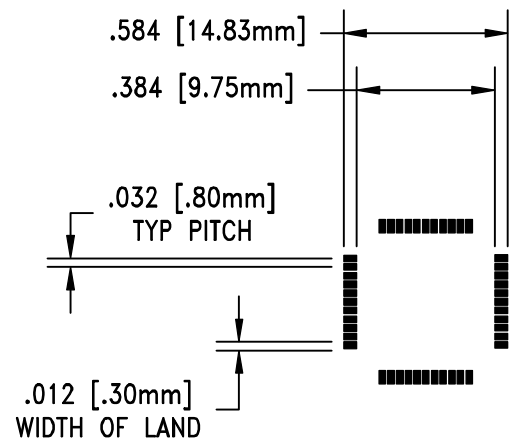


RECOMMENDED  
MINIMUM PAD LAYOUT



NO.	ITEM	DESCRIPTION	QTY.
1	44-QF16-S	BASE BOARD	1
2	T11-FEM-50MIL	MOUNT ON FRONT OF #1	4
3	QF16D-SPACER-A	SOLDER TO REAR OF #1	1

ALL DIMENSIONS ARE IN INCHES UNLESS OTHERWISE SPECIFIED

Emulation Technology, Inc.

— VLSI and SMT ADAPTERS and ACCESSORIES —

SHEET: 1 OF 1	DATE: 10-13-00	REVISION:
CHECKED: Paula Olson	DRAWN: Miguel Delgadillo	ITEM: EPP044QF16DSM
DO NOT SCALE DRAWING		DESCRIPTION: EPP-044-QF16D-SM

2344 Walsh Avenue, Bldg. F  
Santa Clara, Ca 95051

TEL: (408) 982-0660  
FAX: (408) 982-0664

ASSEMBLY DRAWING