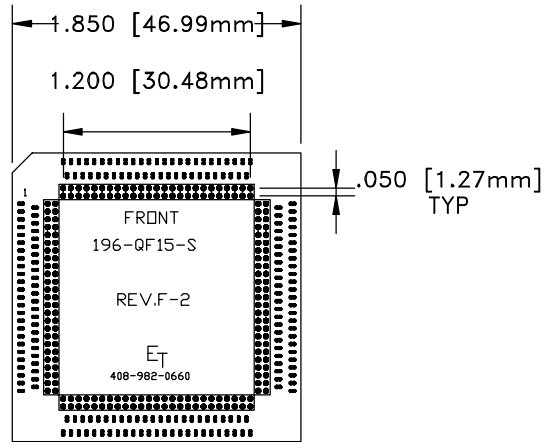
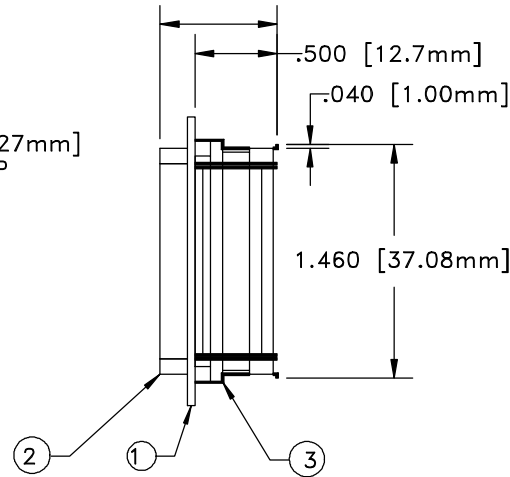


F4313

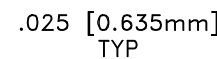
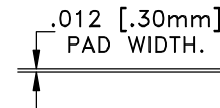
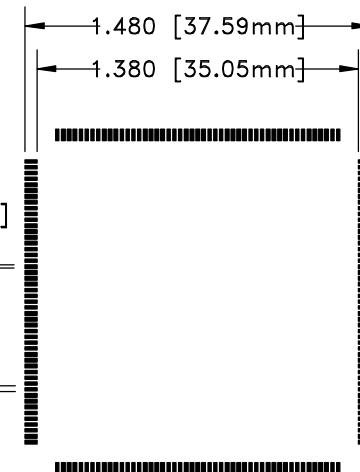
DOD 34313



.750 [19.05mm]



RECOMMENDED
MINIMUM PAD LAYOUT



PINMAP

1	196	146	147
3	194	144	145
5	192	142	143
7	191	140	141
9	189	138	139
11	188	136	137
13	187	134	135
15	186	132	133
17	185	130	129
19	184	128	127
21	183	126	125
23	182	124	123
25	181	122	121
27	180	120	119
29	179	118	117
31	178	116	115
33	177	114	113
35	176	112	111
37	175	110	109
39	174	108	107
41	173	106	105
43	172	104	103
45	171	102	101
47	170	100	99
49	169		
	168		
	167		
	166		
	165		
	164		
	163		
	162		
	161		
	160		
	159		
	158		
	157		
	156		
	155		
	154		
	153		
	152		
	151		
	150		
	149		
51	148		
52	147		
53	146		
54	145		
55	144		
56	143		
57	142		
58	141		
59	140		
60	139		
61	138		
62	137		
63	136		
64	135		
65	134		
66	133		
67	132		
68	131		
69	130		
70	129		
71	128		
72	127		
73	126		
74	125		
75	124		
76	123		
77	122		
78	121		
79	120		
80	119		
81	118		
82	117		
83	116		
84	115		
85	114		
86	113		
87	112		
88	111		
89	110		
90	109		
91	108		
92	107		
93	106		
94	105		
95	104		
96	103		
97	102		
98	101		
99	100		

ALL DIMENSIONS ARE IN INCHES UNLESS OTHERWISE SPECIFIED



Emulation Technology, Inc.
— VLSI and SMT ADAPTERS and ACCESSORIES —

2344 Walsh Avenue, Bldg. F
Santa Clara, Ca 95051

TEL:(408)982-0660
FAX:(408)982-0664

NO.	ITEM	DESCRIPTION	QTY.
1	196-QF15-S	BASE BOARD	1
2	T50-FEM-50X50	MOUNT ON TOP OF #1	4
3	QF15-SPACER-A	MOUNT ON REAR OF #1	1

SHEET: 1 OF 1	DATE: 11-01-00	REVISION:
CHECKED: Paula Olson	DRAWN: Miguel Delgadillo	
DO NOT SCALE DRAWING		

ASSEMBLY DRAWING	
ITEM:	EPP196QF15SM
DESCRIPTION:	EPP-196-QF15-SM