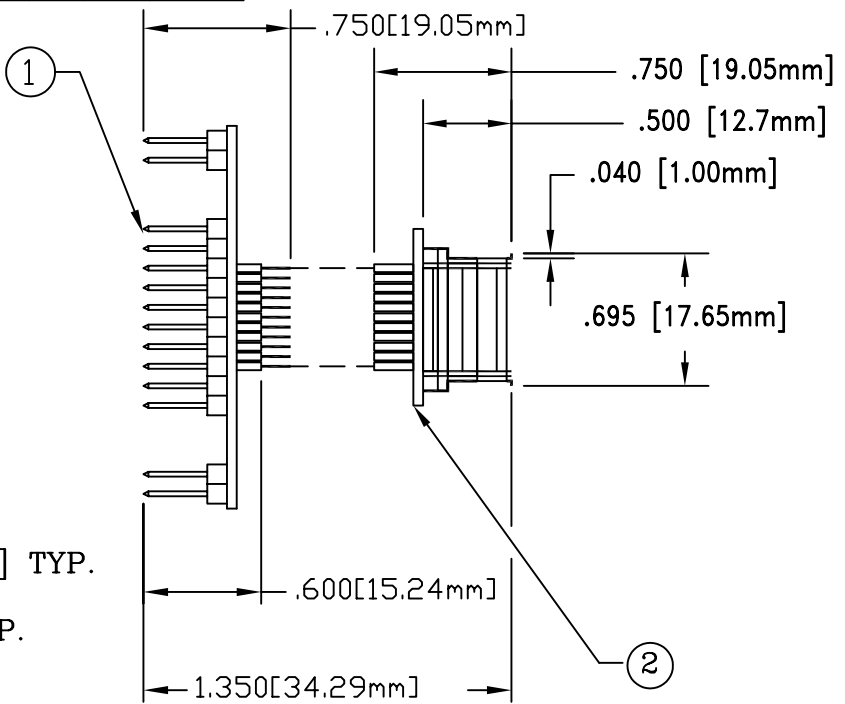
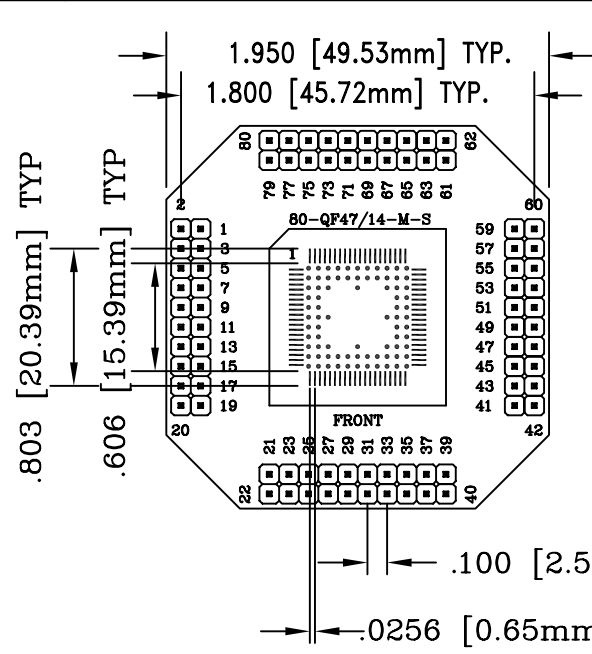
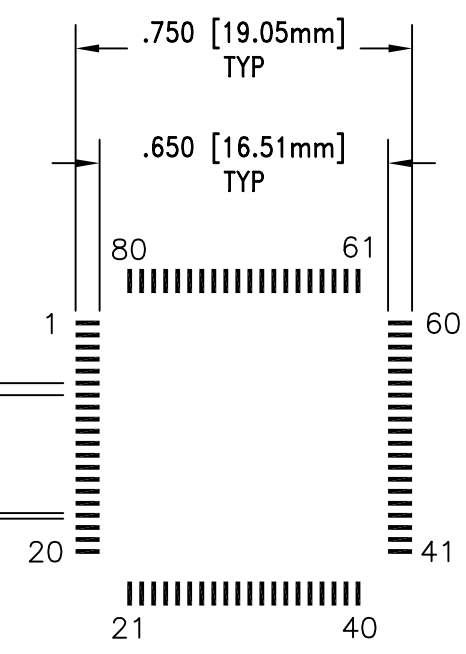


REV	DESCRIPTION	DATE	BY
A	NEW DRAWING	11/02/00	M.D.
B	ADDED DIMENSIONS & PACKAGE	06/21/04	H.N.

F4191



RECOMMENDED
MINIMUM PAD LAYOUT



1	80	78	76	74	72	69	67	65	63	61
3	2	79	77	75	73	70	68	66	62	60
5	6	4		71		64	59	58		
7	8							57	56	
9	10							55	54	
12	13	11						51	53	52
14	15							50	49	
16	17							48	47	
18	19	24		31		44	46	45		
20	22	26	28	30	33	35	37	39	42	43
21	23	25	27	29	32	34	36	38	40	41

PIN MAP

QFP PACKAGE CODE:
80-QF14A/B

ALL DIMENSIONS ARE IN INCHES UNLESS OTHERWISE SPECIFIED

Emulation Technology, Inc.
— VLSI and SMT ADAPTERS and ACCESSORIES —
2344 Walsh Avenue, Bldg.F Santa Clara, Ca 95051
TEL:(408)982-0660 FAX:(408)982-0664

NO.	ITEM	DESCRIPTION	QTY.
1	MX-080-QF47-W	TOP SUB	1
2	EPP080QF14SM	BOTTOM SUB	1

SHEET: 1 OF 1	DATE: 06/21/04	REVISION: B	ASSEMBLY DRAWING
CHECKED: Perry Munroe	DRAWN: Huy Nguyen	ITEM: EPP080QF14W	
Scale 1:1	DO NOT SCALE DRAWING	DESCRIPTION: EPP-080-QF14A-W	