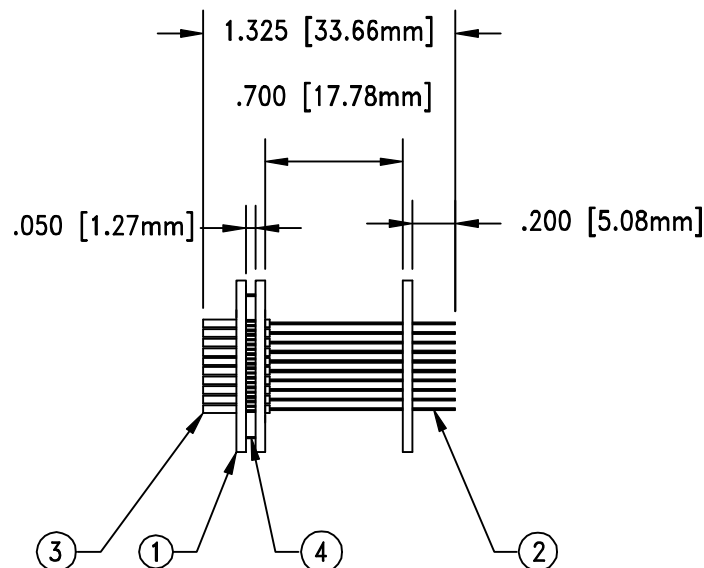
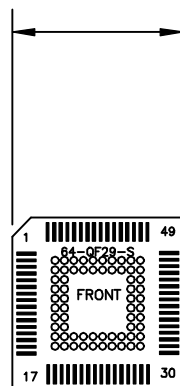


.900 [22.86mm] TYP



ALL DIMENSIONS ARE IN INCHES UNLESS OTHERWISE SPECIFIED



**Emulation Technology, Inc.**  
 — VLSI and SMT ADAPTERS and ACCESSORIES —

2344 Walsh Avenue, Bldg. F  
 Santa Clara, Ca 95051

TEL:(408)982-0660  
 FAX:(408)982-0664

NO.	ITEM	DESCRIPTION	QTY.
1	64-QF29-S	2 @ FEMALE, 1 @ MALE	3
2	PIN-.020-PC	BARB AT FEMALE END	64
3	PINS2	FEMALE END	64
4	WWPOST-SMT-.012	BETWEEN #2,#1 @ FEMALE	64

SHEET: 1 OF 1	DATE: 12-13-00	REVISION:	<b>ASSEMBLY DRAWING</b>
CHECKED: Paula Olson	DRAWN: Miguel Delgadillo	ITEM: EPP064QF29SMEXT	
DO NOT SCALE DRAWING			DESCRIPTION: EPP-064-QF29-SM-EXT