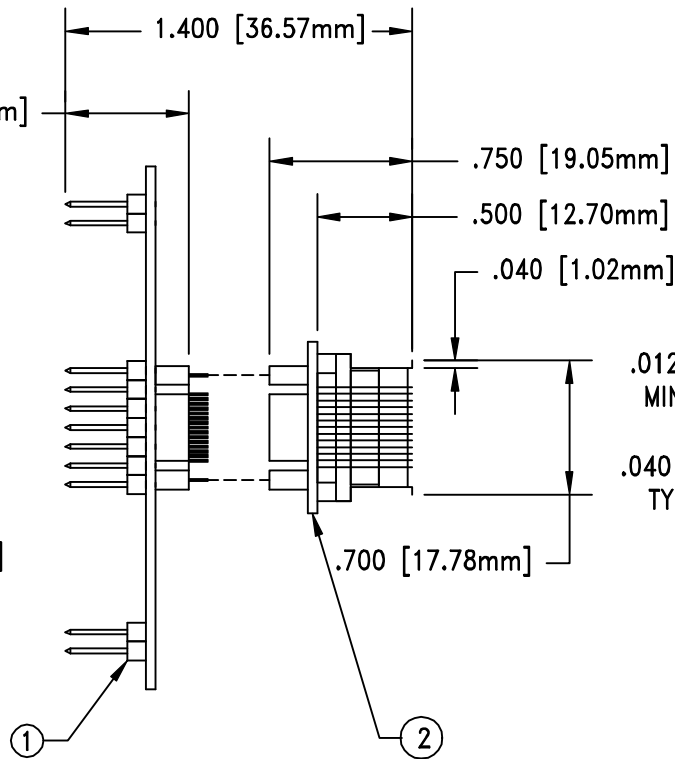
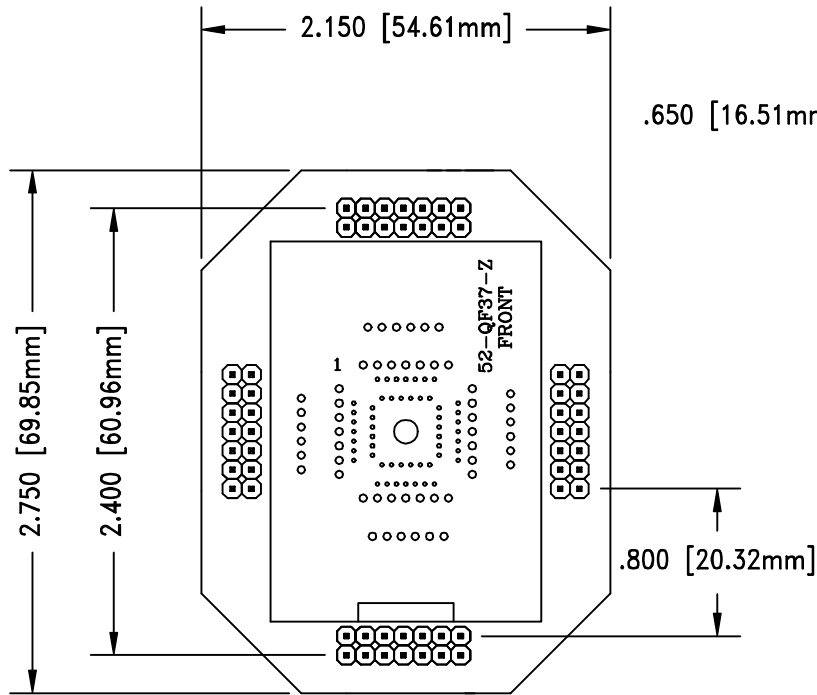


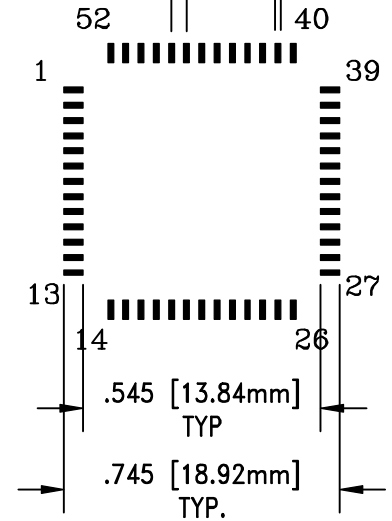
F4170

DOD 34170



.012 [.31mm]  
MIN. WIDTH.

.040 [1.00mm]  
TYP PITCH.



RECOMMENDED MINIMUM  
PAD LAYOUT

ALL DIMENSIONS ARE IN INCHES UNLESS OTHERWISE SPECIFIED



**Emulation Technology, Inc.**  
— VLSI and SMT ADAPTERS and ACCESSORIES —

2344 Walsh Avenue, Bldg. F  
Santa Clara, Ca 95051

TEL:(408)982-0660  
FAX:(408)982-0664

SHEET:  
1 OF 1

DATE:  
11-01-00

REVISION:

**ASSEMBLY DRAWING**

NO.	ITEM	DESCRIPTION	QTY.
1	MX-52-QF37-W	TOP ASSEMBLY	1
2	EPP052QF37SM	BOTTOM ASSEMBLY	1

CHECKED:  
Paula Olson

DRAWN:  
Miguel Delgadillo

ITEM:  
EPP052QF37W

DO NOT SCALE DRAWING

DESCRIPTION:  
EPP-052-QF37-W