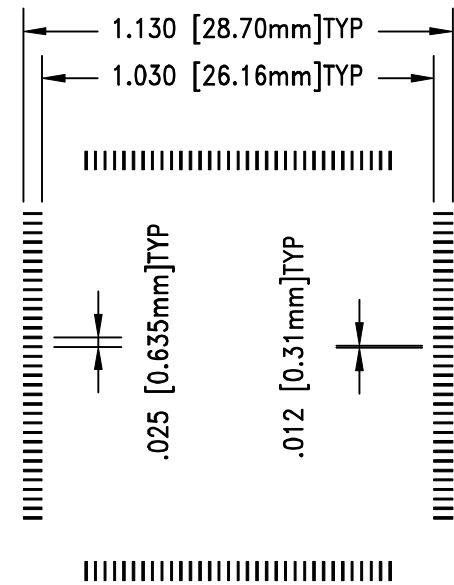


MINIMUM RECOMMENDED PAD LAYOUT



18	17	15	13	10	7	4	1	130	127	124	122	120	118	117	
19	20	16	14	11	8	5	2	131	128	125	123	121	119	116	
21	22		12	9	6	3		132	129	126			115	114	
23	24												113	112	
25	26	27											111	110	109
28	29	30											108	107	106
31	32	33											105	104	103
34	35	36											102	101	100
37	38	39											99	98	97
40	41	42											96	95	94
43	44	45											93	92	91
46	47												90	89	
48	49		60	63	66	69	72	75	78				88	87	
50	53	55	57	59	62	65	68	71	74	77	80	82	86	85	
51	52	54	56	58	61	64	67	70	73	76	79	81	83	84	

BOARD TO BE MOUNTED ON ANSI STANDARD
132-QF03 SMT FOOTPRINT

ALL DIMENSIONS ARE IN INCHES UNLESS OTHERWISE SPECIFIED

	Emulation Technology, Inc. — VLSI and SMT ADAPTERS and ACCESSORIES —	
	2344 Walsh Avenue, Bldg. F Santa Clara, Ca 95051	TEL:(408)982-0660 FAX:(408)982-0664

NO.	ITEM	DESCRIPTION	QTY.
1	132-QF03-S-LC	BASE BOARD	1
2	T01-150M150S1RG	MOUNT ON FRONT OF #1	132

SHEET: 1 OF 1	DATE: 11/7/00	REVISION:	ASSEMBLY DRAWING
CHECKED: PAULA OLSON	DRAWN: AARON FINE	ITEM: EPP132QF03SMLPM	
DO NOT SCALE DRAWING			DESCRIPTION: EPP-132-QF03-SMLP-M