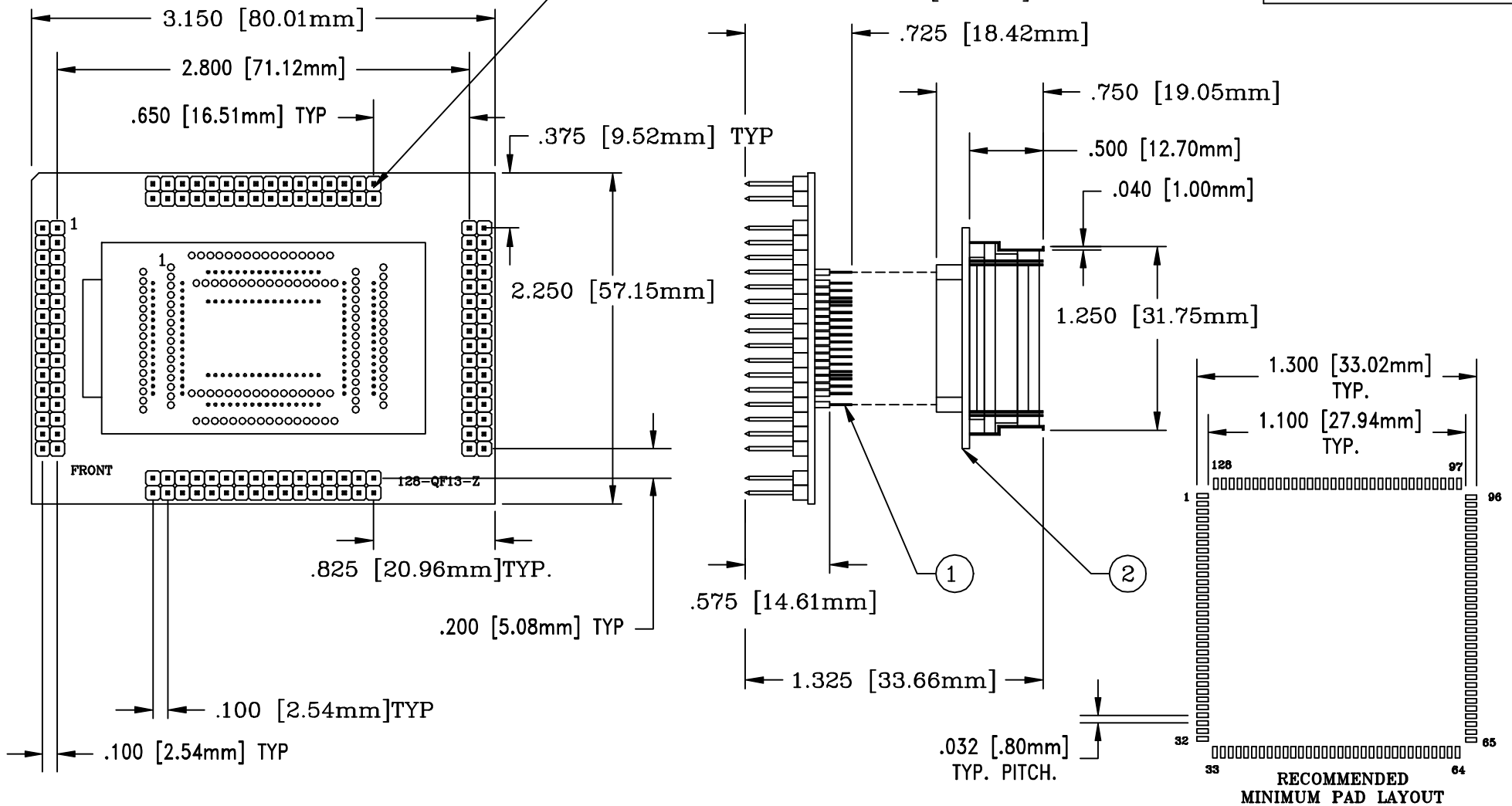


F3963

DOD 3963

NOTE:

HOLE ϕ FOR POST IS .038 [.97mm] ON BOARD



ALL DIMENSIONS ARE IN INCHES UNLESS OTHERWISE SPECIFIED



Emulation Technology, Inc.

— VLSI and SMT ADAPTERS and ACCESSORIES —

2344 Walsh Avenue, Bldg. F
 Santa Clara, Ca 95051

TEL:(408)982-0660
 FAX:(408)982-0664

NO.	ITEM	DESCRIPTION	QTY.
1	MX-128-QF13-W	TOP SUB ASSEMBLY	1
2	EPP128QF13SM	BOTTOM SUB ASSEMBLY	1

SHEET: 1 OF 1	DATE: 11-01-00	REVISION:	ASSEMBLY DRAWING
CHECKED: Paula Olson	DRAWN: Miguel Delgadillo	ITEM: EPP128QF13W	
DO NOT SCALE DRAWING			DESCRIPTION: EPP-128-QF13-W