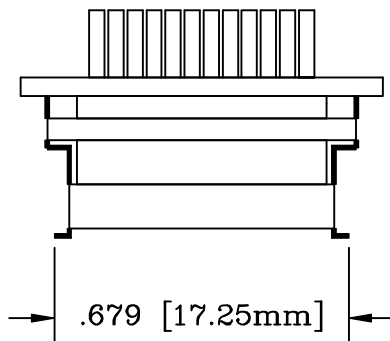
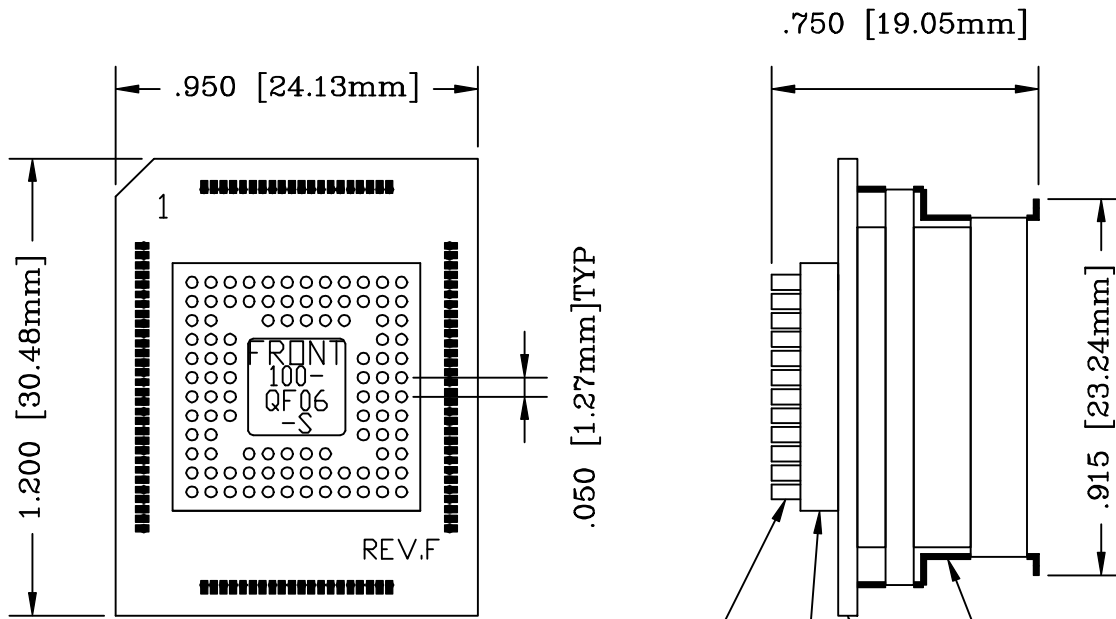


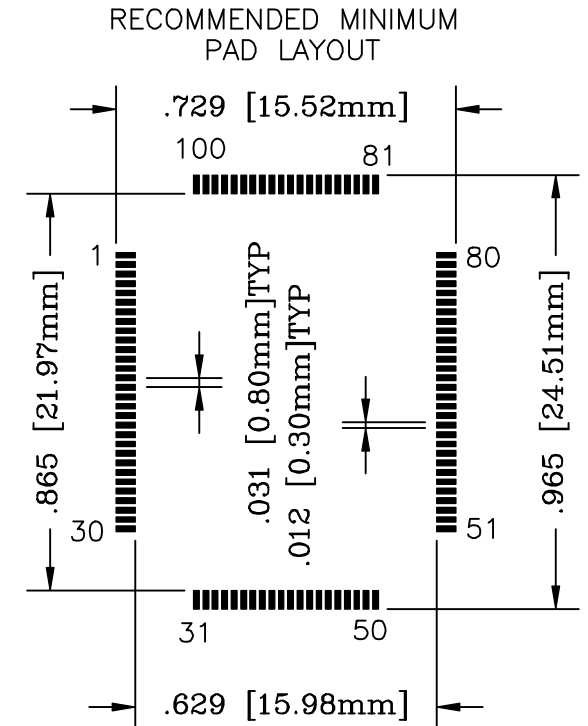
F3856

DOD 33856



3	2	100	99	97	94	91	88	85	82	79	80	
5	4	1	98	96	93	90	87	84	81	77	78	
7	6		95	92	89	86	83			75	76	
10	9	8								73	74	
13	12	11								70	71	72
16	15	14								67	68	69
19	18	17								64	65	66
22	21	20								61	62	63
24	23									58	59	60
26	25	33	36	39	42	45				56	57	
28	27	31	34	37	40	43	46	48	51	54	55	
30	29	32	35	38	41	44	47	49	50	52	53	

SCALE 2:1



NO.	ITEM	DESCRIPTION	QTY.
1	100-QF06-S	BASE BOARD	1
2	PINS2	MOUNT ON FRONT OF #1	100
3	QF06B-SPACER-A	MOUNT ON REAR OF #1	1
4	SPACER-100Q6	MOUNT WITH #2	1

	Emulation Technology, Inc. — VLSI and SMT ADAPTERS and ACCESSORIES —	
	2344 Walsh Avenue, Bldg. F Santa Clara, Ca 95051	TEL:(408)982-0660 FAX:(408)982-0664
SHEET: 1 OF 1	DATE: 11/7/00	REVISION:
CHECKED: Paula Olson	DRAWN: Aaron Fine	ASSEMBLY DRAWING
DO NOT SCALE DRAWING		ITEM: EPP100QF06BSM
		DESCRIPTION: EPP-100-QF06B-SM