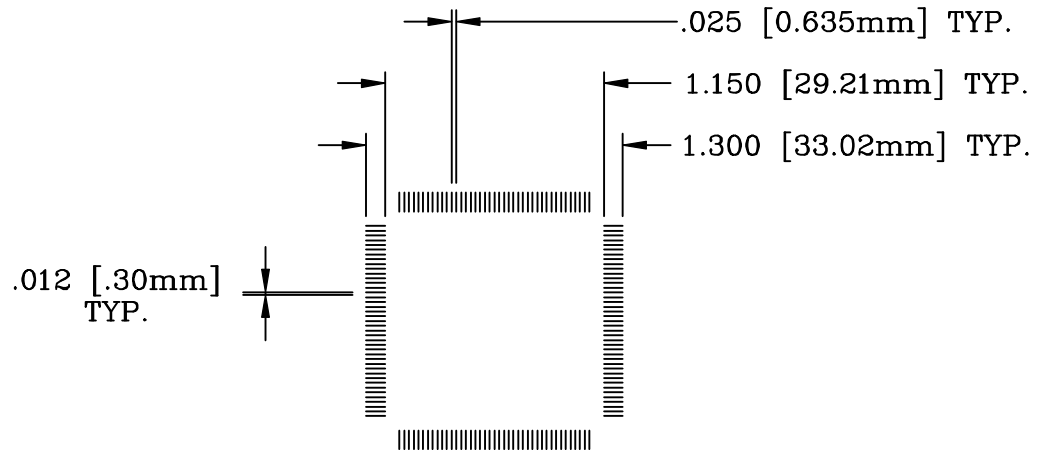


164 162 160 158 156 154 152 150 148 146 144 142 140 138 136 134 132 130 128 126 124
NC 183 161 159 157 155 153 151 149 147 145 143 141 139 137 135 133 131 129 127 125

1	2	NC 123
3	4	122 121
5	6	120 119
7	8	118 117
9	10	116 115
11	12	114 113
13	14	112 111
15	16	110 109
17	18	108 107
19	20	106 105
21	22	104 103
23	24	102 101
25	26	100 99
27	28	98 97
29	30	96 95
31	32	94 93
33	34	92 91
35	36	90 89
37	38	88 87
39	40	86 85
41	NC	84 83

43	45	47	49	51	53	55	57	59	61	63	65	67	69	71	73	75	77	79	81	NC	
42	44	46	48	50	52	54	56	58	60	62	64	66	68	70	72	74	76	78	80	82	

RECOMMENDED MINIMUM
PAD LAYOUT



ALL DIMENSIONS ARE IN INCHES UNLESS OTHERWISE SPECIFIED



Emulation Technology, Inc.
— VLSI and SMT ADAPTERS and ACCESSORIES —

2344 Walsh Avenue, Bldg. F
Santa Clara, Ca 95051

TEL:(408)982-0660
FAX:(408)982-0664

NO.	ITEM	DESCRIPTION	QTY.
1	164-QF04-S	BASE BOARD	1
2	T50-FEM-50X50	MOUNT ON TOP OF #1	4
3	QF04-SPACER-B	MOUNT ON REAR OF #1	1

SHEET: 1 OF 1	DATE: 11-01-00	REVISION:	ASSEMBLY DRAWING
CHECKED: Paula Olson	DRAWN: Miguel Delgadillo	ITEM: EPP164QF04SM	
DO NOT SCALE DRAWING		DESCRIPTION: EPP-164-QF04-SM	