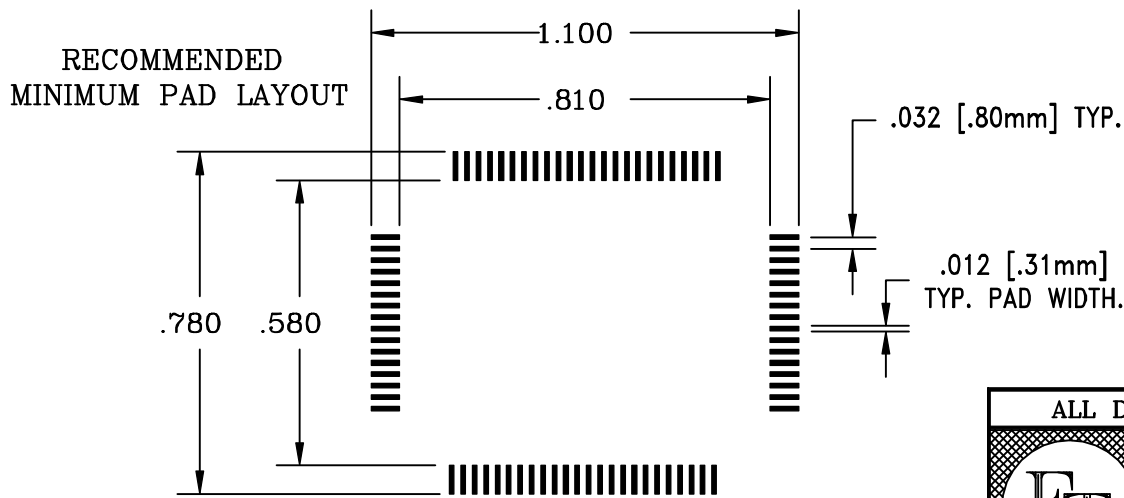
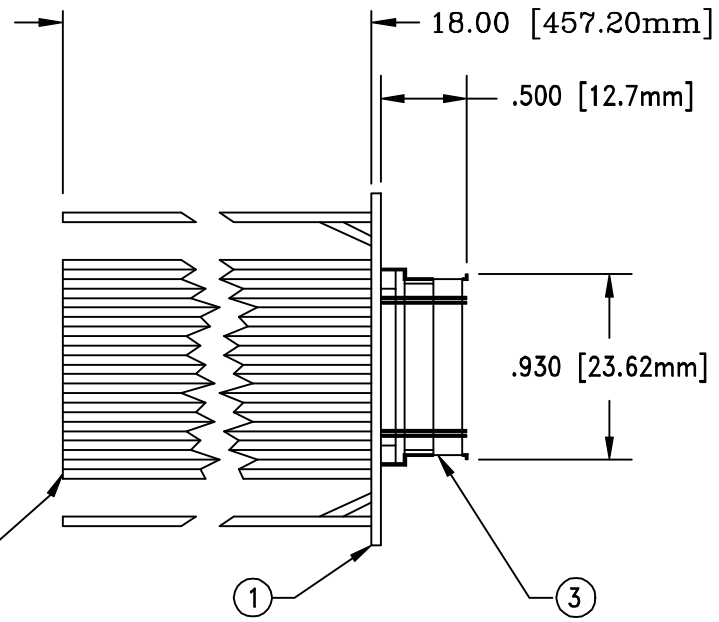
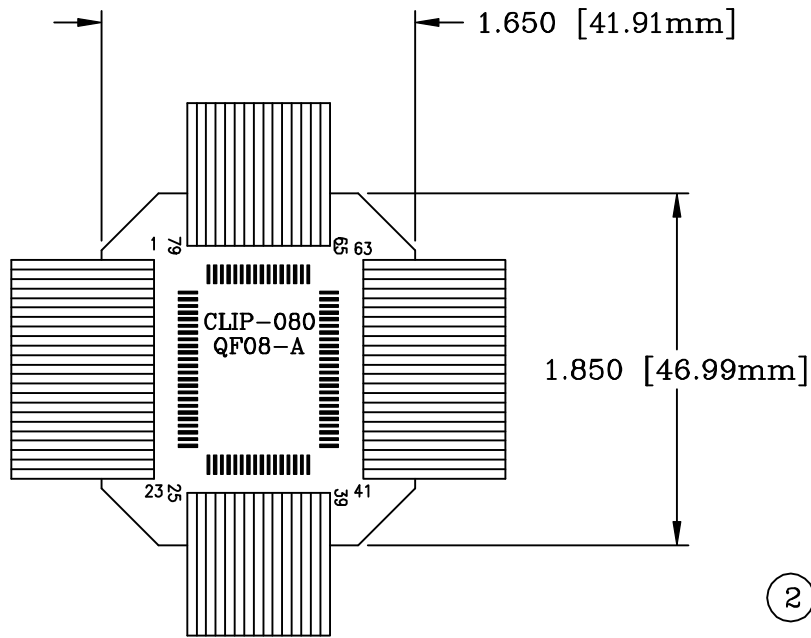


F2562

DOD 32562



ALL DIMENSIONS ARE IN INCHES UNLESS OTHERWISE SPECIFIED



Emulation Technology, Inc.
 — VLSI and SMT ADAPTERS and ACCESSORIES —

2344 Walsh Avenue, Bldg. F
 Santa Clara, Ca 95051

TEL:(408)982-0660
 FAX:(408)982-0664

NO.	ITEM	DESCRIPTION	QTY.
1	80-QF08-CLIP	REV F OR NEWER	1
2	CABLE-34-1200	MOUNT ON FRONT 18 IN.	18
3	QF08-SPACER-A	MOUNT ON REAR OF #1	1
4	NOTE	DO NOT SLDR #3 TO #1	0

SHEET: 1 OF 1	DATE: 10-30-00	REVISION:	ASSEMBLY DRAWING
CHECKED: Paula Olson	DRAWN: Miguel Delgadillo	ITEM: EPP080QF0818	
DO NOT SCALE DRAWING			DESCRIPTION: EPP-080-QF08-18