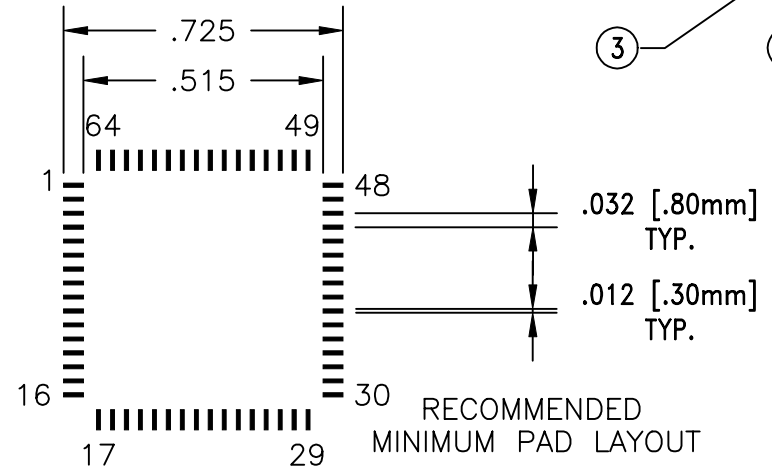
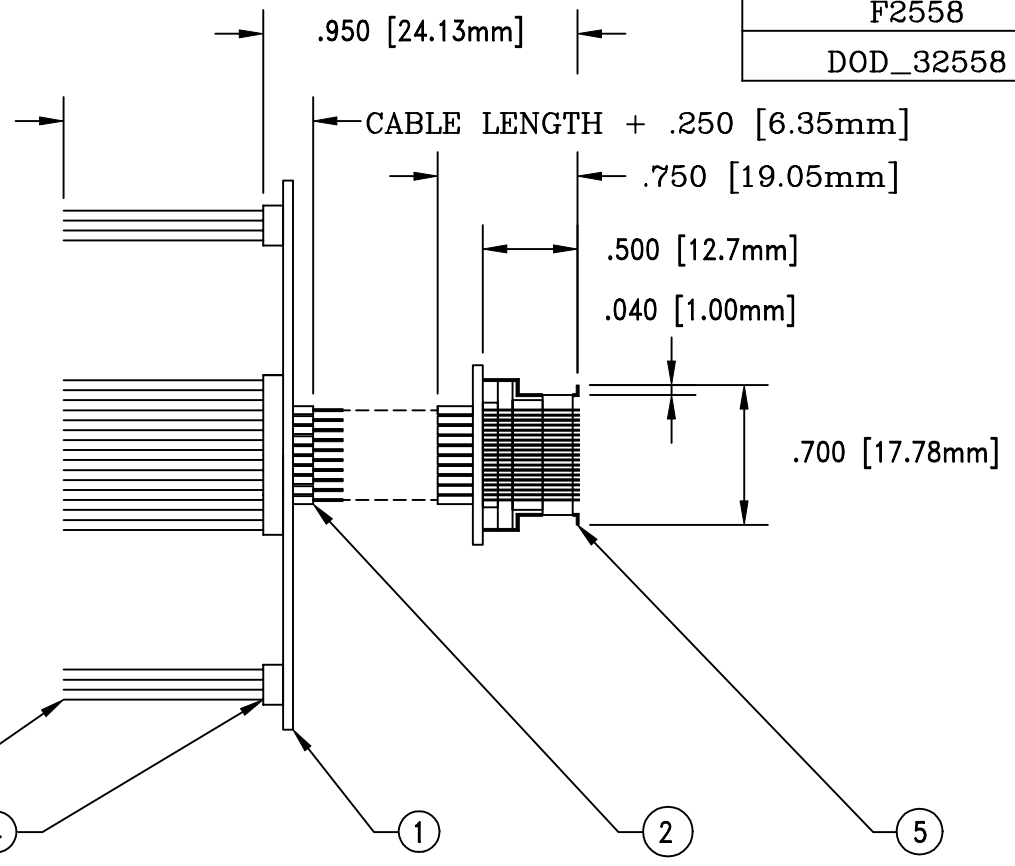
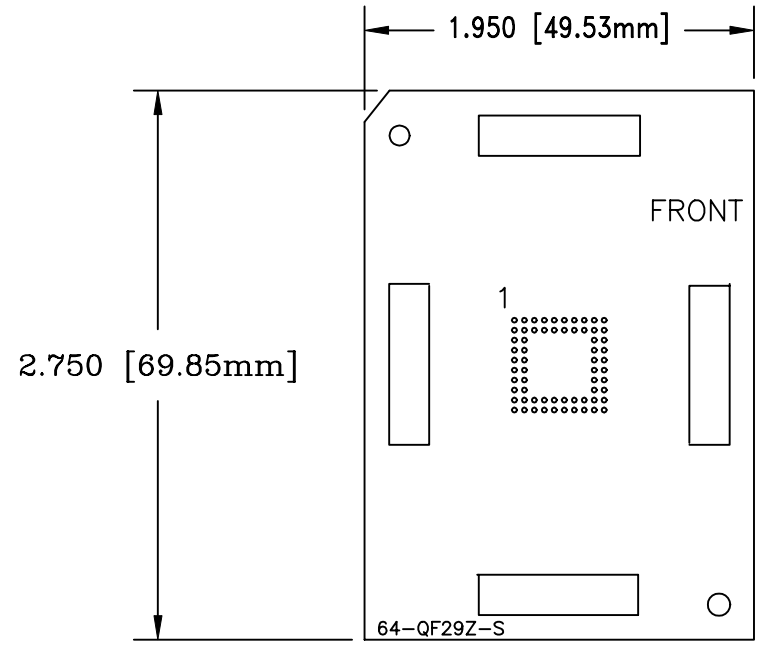


REV	DESCRIPTION	DATE	BY
A	NEW DRAWING	10/30/00	M.D.
B	UPDAED BOM: CHANGED #3	8/2/01	A.F.

F2558
DOD_32558



ALL DIMENSIONS ARE IN INCHES UNLESS OTHERWISE SPECIFIED

Emulation Technology, Inc.
— VLSI and SMT ADAPTERS and ACCESSORIES —

2344 Walsh Avenue, Bldg. F
Santa Clara, Ca 95051
TEL:(408)982-0660
FAX:(408)982-0664

ASSEMBLY DRAWING

SHEET: 1 OF 1 DATE: 10-30-00 REVISION: B

CHECKED: Perry Munroe DRAWN: Miguel Delgadillo

ITEM: EPP064QF29XX

DESCRIPTION: EPP-064-QF29-18

DO NOT SCALE DRAWING

NO.	ITEM	DESCRIPTION	QTY.
1	64-QF29Z-S	BASEBOARD	1
2	T01-150M150S1RG	SLDR(REAR)	64
3	CABLE	CUT_CABLE	12IN
4	CON-NC-18	CUT_CNNCTR(16PIN)	4
5	EPP064QF29SM	SMT_SUB_ASSY	1