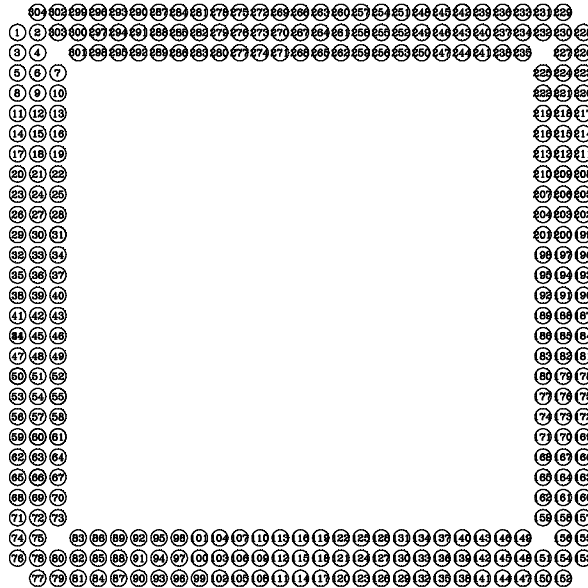



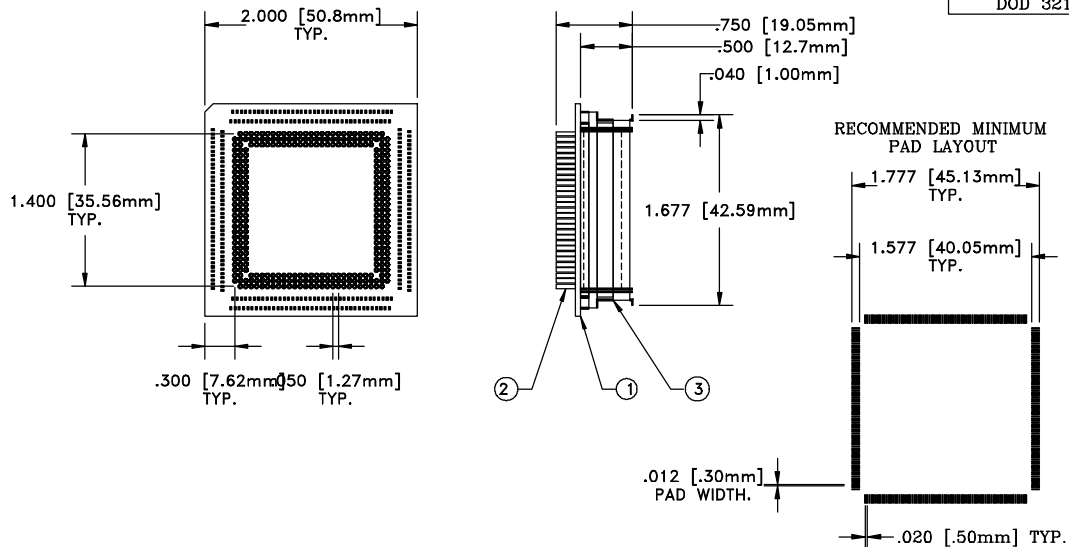
F2189




ALL DIMENSIONS ARE IN INCHES UNLESS OTHERWISE SPECIFIED

		Emulation Technology, Inc.	
		— VLSI and SMT ADAPTERS and ACCESSORIES —	
2344 Walsh Avenue, Bldg. F Santa Clara, Ca 95051		TEL:(408)982-0660 FAX:(408)982-0664	
SHEET: 1 OF 1	DATE: 11-03-00	REVISION:	PIN MAP
CHECKED: Paula Olson	DRAWN: M. Delgadillo	ITEM:	EPP304QF61SM
DO NOT SCALE DRAWING		DESCRIPTION:	EPP-304-QF61-SM

F2189
DOD 32189



ALL DIMENSIONS ARE IN INCHES UNLESS OTHERWISE SPECIFIED

		Emulation Technology, Inc.	
		— VLSI and SMT ADAPTERS and ACCESSORIES —	
2344 Walsh Avenue, Bldg. F Santa Clara, Ca 95051		TEL:(408)982-0660 FAX:(408)982-0664	
SHEET: 1 OF 1	DATE: 11-01-00	REVISION:	ASSEMBLY DRAWING
CHECKED: Paula Olson	DRAWN: Miguel D.	ITEM:	EPP304QF61SM
DO NOT SCALE DRAWING		DESCRIPTION:	EPP-304-QF61-SM

NO.	ITEM	DESCRIPTION	QTY.
1	304-QF61-S	BASE BOARD	1
2	PINS2	MOUNT ON TOP OF #1	304
3	QF61-SPACER-C	MOUNT ON REAR OF #1	1