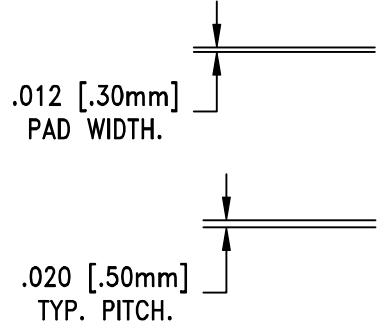
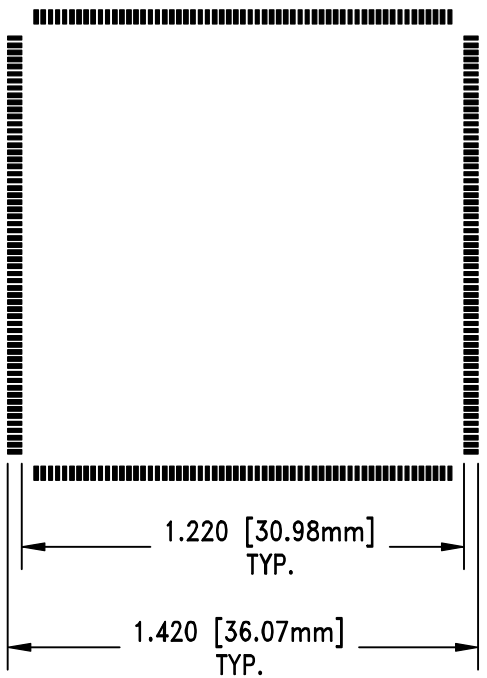


RECOMMENDED
MINIMUM PAD LAYOUT



- 239 240
- 237 238
- 235 236
- 233 234
- 231 232
- 229 230
- 227 228
- 225 226
- 223 224
- 221 222
- 219 220
- 217 218
- 215 216
- 213 214
- 211 212
- 209 210
- 207 208
- 205 206
- 203 204
- 201 202
- 199 200
- 197 198
- 195 196
- 193 194
- 191 192
- 189 190
- 187 188
- 185 186
- 183 184
- 181 182
- 179 180
- 177 178
- 175 176
- 173 174
- 171 172
- 169 170
- 167 168
- 165 166
- 163 164
- 161 162
- 159 160
- 157 158
- 155 156
- 153 154
- 151 152
- 149 150
- 147 148
- 145 146
- 143 144
- 141 142
- 139 140
- 137 138
- 135 136
- 133 134
- 131 132
- 129 130
- 127 128
- 125 126
- 123 124
- 121 122
- 62 61
- 64 63
- 66 65
- 68 67
- 70 69
- 72 71
- 74 73
- 76 75
- 78 77
- 80 79
- 82 81
- 84 83
- 86 85
- 88 87
- 90 89
- 92 91
- 94 93
- 96 95
- 98 97
- 100 99
- 102 101
- 104 103
- 106 105
- 108 107
- 110 109
- 112 111
- 114 113
- 116 115
- 118 117
- 120 119

NO.	ITEM	DESCRIPTION	QTY.
1	MX-240-QF62-W	PLUG INTO #2	1
2	EPP240QF62SM	BOTTOM SUB ASSEMBLY	1

Emulation Technology, Inc.

— VLSI and SMT ADAPTERS and ACCESSORIES —

2344 Walsh Avenue, Bldg. F
Santa Clara, Ca 95051

TEL:(408)982-0660
FAX:(408)982-0664

SHEET: 1 OF 1	DATE: 11-01-00	REVISION:	ASSEMBLY DRAWING
CHECKED: Paula Olson	DRAWN: Miguel Delgadillo	ITEM: EPP240QF62W	
DO NOT SCALE DRAWING			DESCRIPTION: EPP-240-QF62-W