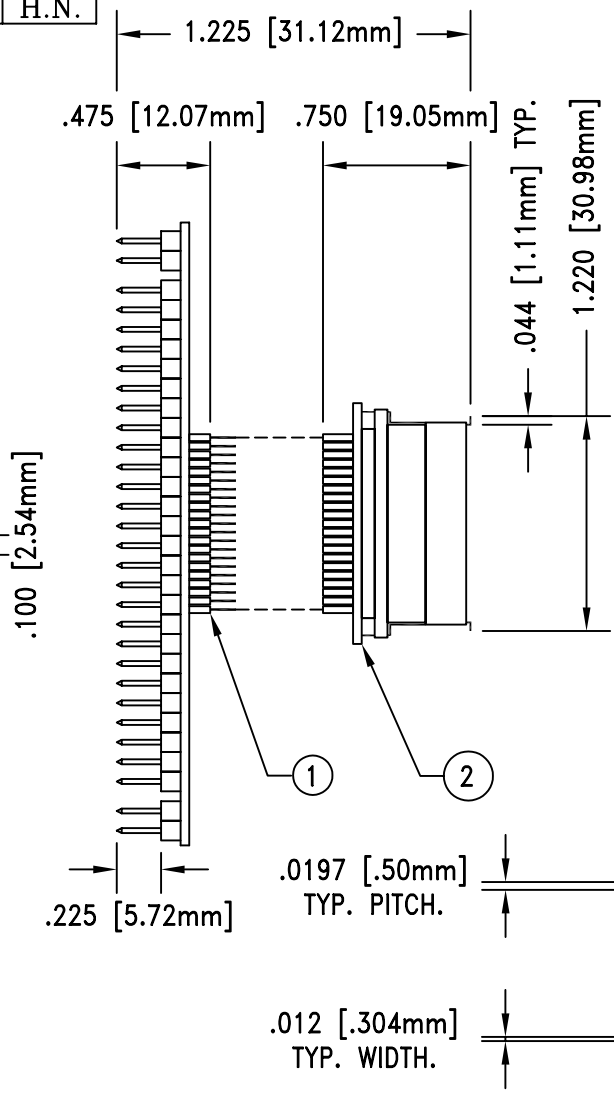
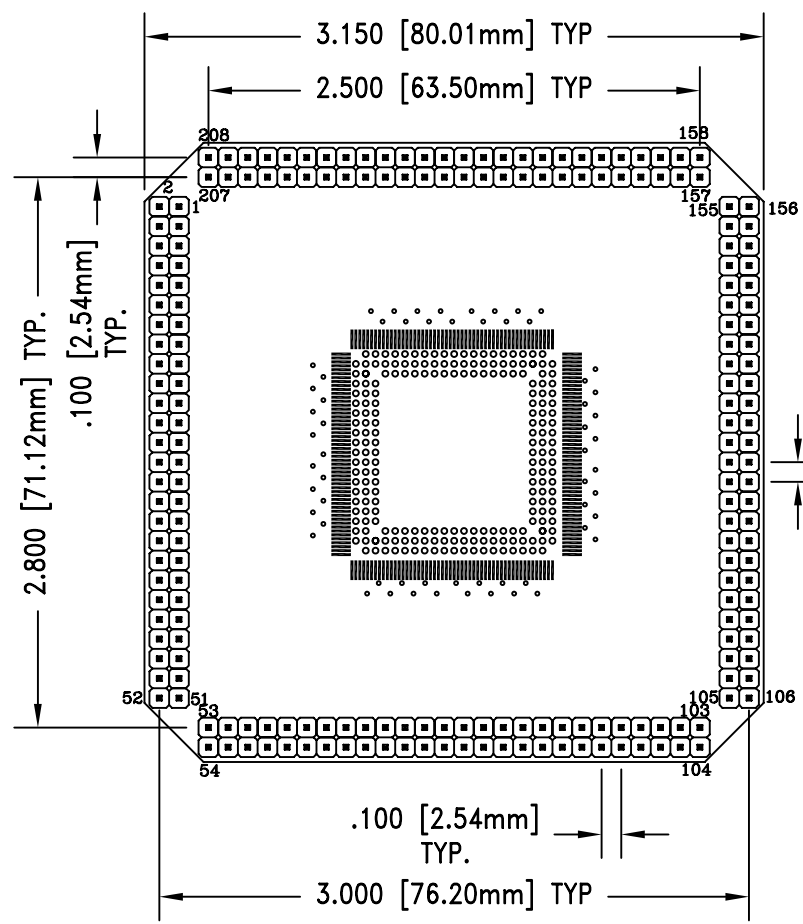
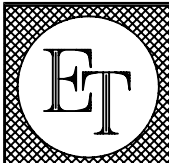
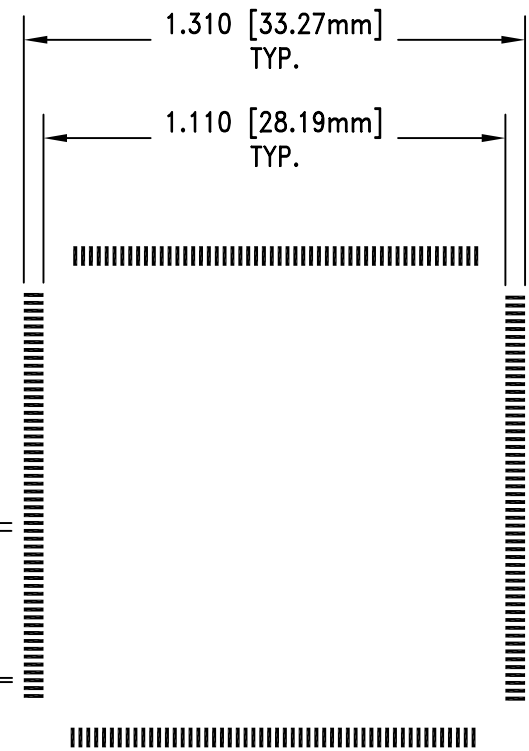


REV	DESCRIPTION	DATE	BY
A	NEW DRAWING	11/01/00	M.D.
B	ADDED DIMENSIONS	09/18/06	H.N.

F1995



**RECOMMENDED
MINIMUM PAD LAYOUT**



Emulation Technology, Inc.
— VLSI and SMT ADAPTERS and ACCESSORIES —

2344 Walsh Avenue, Bldg. F
Santa Clara, Ca 95051

TEL:(408)982-0660
FAX:(408)982-0664

NO.	ITEM	DESCRIPTION	QTY.
1	MX-208-QF21-W	TOP SUB ASSEMBLY	1
2	EPP208QF21SM	BOTTOM SUB ASSEMBLY	1

SHEET: 1 OF 1	DATE: 11-01-00	REVISION: B	ASSEMBLY DRAWING
CHECKED: Paula Olson	DRAWN: Miguel Delgadillo	ITEM: EPP208QF21W	
DO NOT SCALE DRAWING		DESCRIPTION: EPP-208-QF21-W	